



CATALOG OF REPLACEMENT PARTS

MODELS H600 & L800 SERIES MIXERS

(INCLUDES MOTOR PARTS)



MANUAL BOWL LIFT

H600	ML-134191
H600	ML-134148
H600	ML-104383
H600C	ML-134203
H600C	ML-134151
H600C	ML-104557
H600D	ML-104241

L800	ML-134194
L800	ML-134157
L800	ML-104429
L800C	ML-134204
L800C	ML-134161
L800C	ML-104558
L800D	ML-104244

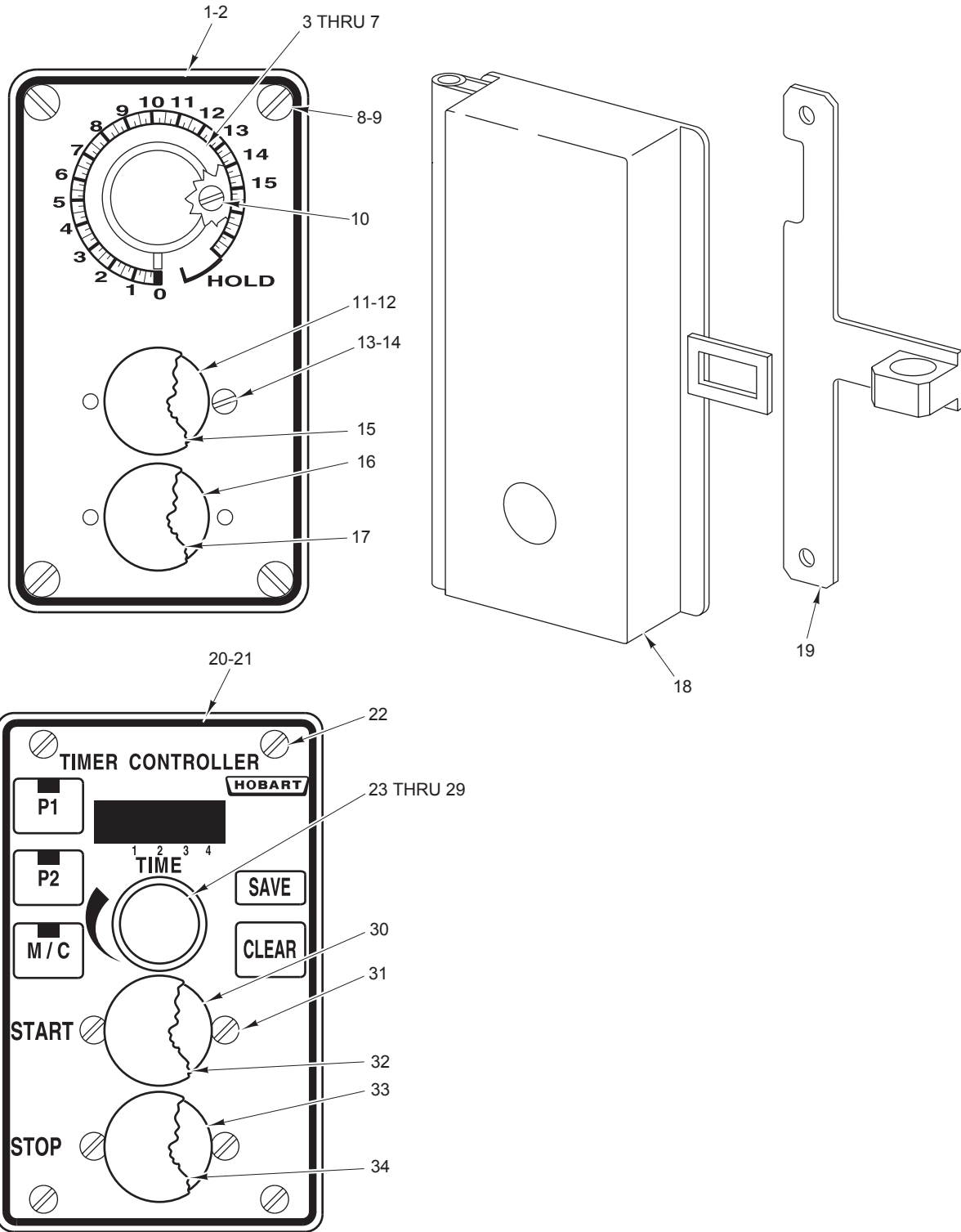
POWER BOWL LIFT

H600	ML-134150
H600	ML-104384
H600D	ML-104242

L800	ML-134160
L800	ML-104425
L800D	ML-104245

Table of Contents

5	SWITCH PLATE AND TIMER UNIT
7	CONTROL PANEL UNIT
9	BASE AND PEDESTAL UNIT
10	MOTOR
11	MOTOR PARTS
13	BOWL GUARD UNIT (PREVIOUS CONSTRUCTION)
15	BOWL GUARD UNIT (CURRENT CONSTRUCTION)
16	TRANSMISSION CASE UNIT
18	BOWL SUPPORT AND LIFT UNIT (H600 SERIES)
20	BOWL SUPPORT AND LIFT UNIT (L800 SERIES)
23	POWER BOWL LIFT UNIT
24	TRANSMISSION UNIT
27	PLANETARY UNIT
29	ATTACHMENT HUB UNIT
30	BOWLS AND EQUIPMENT (H600 SERIES)
31	BOWLS AND EQUIPMENT (L800 SERIES)
32	AGITATORS (H600 SERIES)
33	AGITATORS (L800 SERIES)
35	SHIFTING UNIT



PL-57421

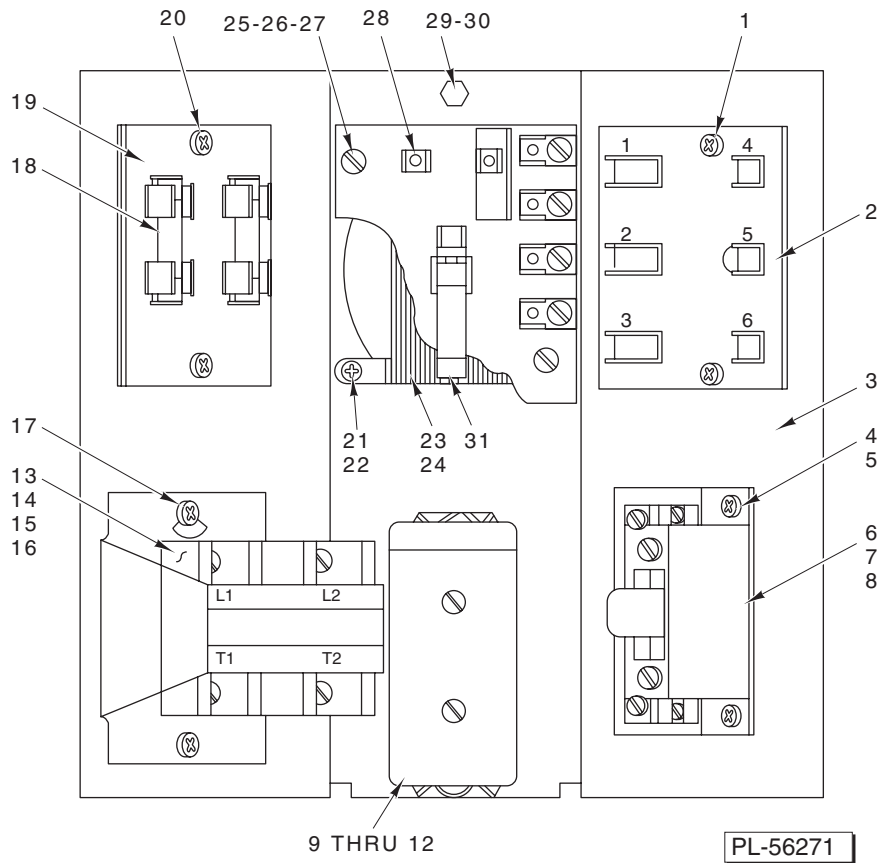
SWITCH PLATE AND TIMER UNIT

SWITCH PLATE AND TIMER UNIT

ILLUS.	PART NO.	NAME OF PART	AMT.
PL-57421			
1	00-291729-00002	Plate – Switch	1
2	00-437324	Gasket	1
3	00-291748	Knob – Timer	1
4	00-294650-004-1	Timer Assy. (115 V., 60 Hz.)	1
5	00-294650-004-2	Timer Assy. (208-240 V., 60 Hz.)	1
6	00-294650-004-3	Timer Assy. (115 V., 50 Hz.)	1
7	00-294650-004-4	Timer Assy. (230 V., 50 Hz.)	1
8	00-123131	Self-Tapping Screw 8-32 x 3/8 Truss Hd., Taptite	4
9	SC-121-92	Mach. Screw 8-32 x 3/8 Hex Button Hd. (SST) (H600C & L800C)	4
10	SC-013-07	Mach. Screw 5-40 x 1/4 Slotted Flat Hd.	2
11	00-087711-183-4	Switch – Push Button (N.O.)	1
12	00-291750	Insulator – Switch	1
13	SC-013-12	Mach. Screw 6-32 x 1/4 Slotted Flat Hd.	4
14	SC-121-89	Mach. Screw 6-32 x 1/4 Hex Flat Hd. (SST) (H600C & L800C)	4
15	00-102467-00001	Cap – Push Button (Start) (Black)	1
16	00-087711-183-2	Switch – Push Button (N.C.)	1
17	00-102467-00002	Cap – Push Button (Stop) (Red)	1
18	00-437704	Cover Assy. (H600C & L800C)	1
19	00-437705	Hasp Assy. (H600C & L800C)	1
20	00-438322	Keypad & Plate	1
21	00-438351	Gasket	1
22	00-123131	Self-Tapping Screw 8-32 x 3/8 Truss Hd., Taptite	4
23	00-437775	Knob – Potentiometer	1
24	00-437742	Seal – Shaft	1
25	00-438499	Buzzer Assy.	1
26	WL-007-07	Lockwasher #8 External	1
27	NS-031-08	Nut – Stop Special 8-32 (SST)	1
28	00-439400-00001	Board Assy. (120 VAC)	1
29	00-439400-00002	Board Assy. (240 VAC)	1
30	00-087711-183-4	Switch – Push Button (N.O.)	1
31	SC-053-38	Mach. Screw 6-32 x 1/4 Slotted Truss Hd. (SST)	4
32	00-102467-00001	Cap – Push Button (Start) (Black)	1
33	00-087711-183-2	Switch – Stop (N.C.)	1
34	00-102467-00002	Cap – Push Button (Stop) (Red)	1
	00-438074-00001	Snubber Assy.	1
*	00-439102-00001	Timer Upgrade Kit (120 VAC)	1
*	00-439102-00002	Timer Upgrade Kit (240 VAC)	1
*	00-439102-00005	Timer Upgrade Kit (120 VAC) (Pizza Hut)	1
*	00-439102-00006	Timer Upgrade Kit (240 VAC) (Pizza Hut)	1

*The upgrade kit to add the electronic timer is available for installation on H600 and L800 mixers built since 1984, including the following ML numbers:

ML-33373	ML-33377	ML-33381	ML-33631	ML-33635	ML-38440	ML-33397	ML-33640
ML-33374	ML-33378	ML-33382	ML-33632	ML-33636	ML-33395	ML-33398	ML-33641
ML-33375	ML-33379	ML-33383	ML-33633	ML-33637	ML-33396	ML-33639	ML-33642
ML-33376	ML-33380		ML-33634	ML-33638			

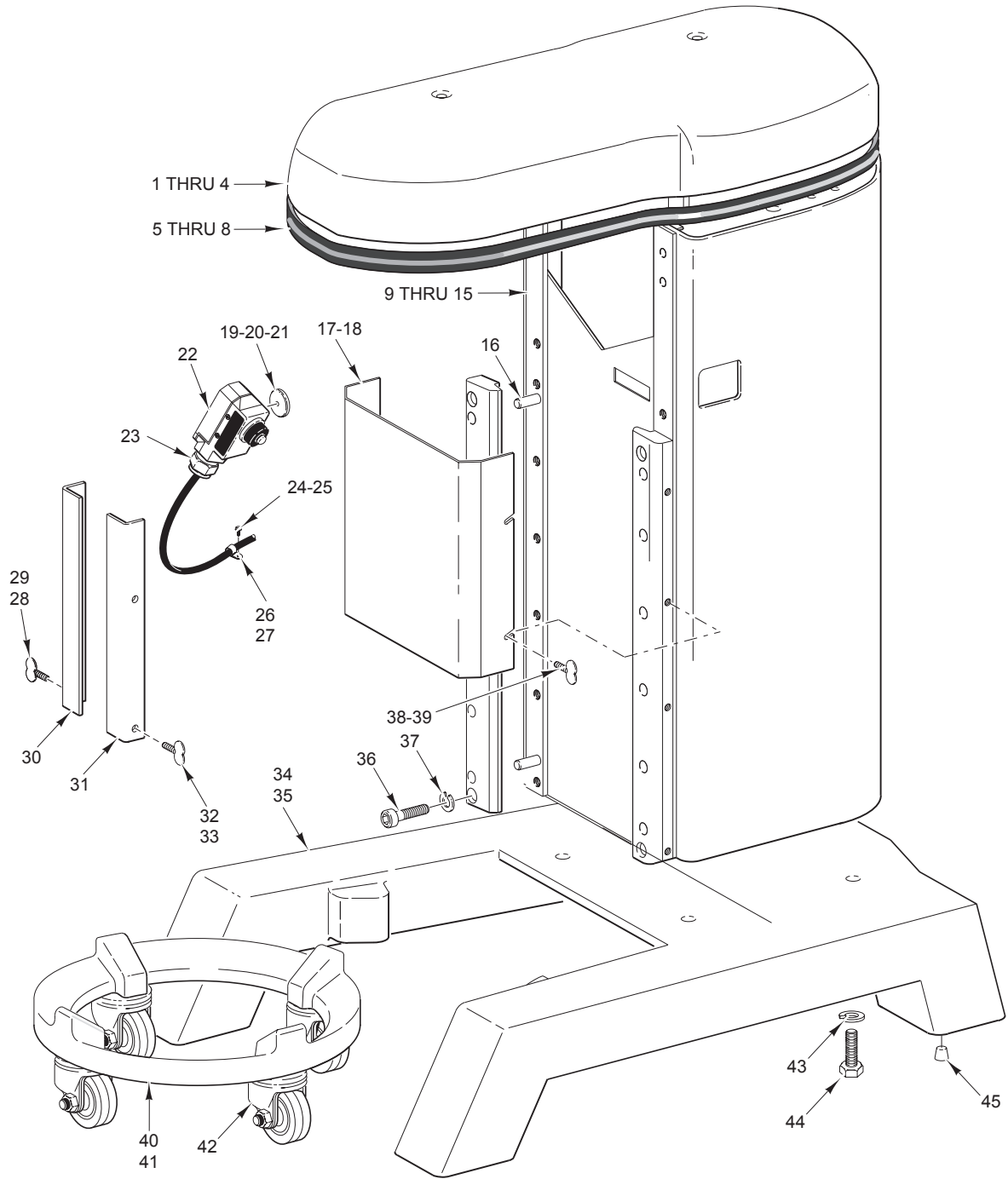


CONTROL PANEL UNIT

CONTROL PANEL UNIT

ILLUS. PL-56271	PART NO.	NAME OF PART	AMT.
1	SD-015-20	Self-Tapping Screw 10-32 x 3/8 Phil. Pan Hd., Type TT	2
2	00-121014	Board – Terminal (3 Ph.)	1
3	00-121823	Panel – Control	1
4	SD-015-20	Self-Tapping Screw 10-32 x 3/8 Phil. Pan Hd., Type TT (1 Ph.)	2
5	SD-015-20	Self-Tapping Screw 10-32 x 3/8 Phil. Pan Hd., Type TT (3 Ph.)	4
6	00-088196-006-1	Relay – Thermal Overload (1 Ph.)	1
7	00-088196-005-1	Relay – Thermal Overload (3 Ph.)	1
8	*	Heater Element	AR
9	00-070487-00009	Capacitor (1 Ph. Motor)	1
10	00-070486-00003	End Cap – Capacitor	1
11	00-066621-00002	Bracket – Capacitor	1
12	SC-014-57	Mach. Screw 10-24 x 1/2 Slotted Flat Hd.	2
13	00-087713-037-2	Contactora (115 V. Coil) (2 Pole)	1
14	00-087713-037-1	Contactora (220 V. Coil) (2 Pole)	1
15	00-087713-101-2	Contactora Assy. (115 V. Coil) (3 Pole)	1
16	00-087713-101-1	Contactora Assy. (200-230 V. Coil) (3 Pole)	1
17	SD-015-20	Self-Tapping Screw 10-32 x 3/8 Phil Pan Hd., Type TT	2
18	FE-024-55	Fuse (5.6 Amp.) (Power Bowl Lift)	2
19	00-120924	Terminal Board Assy. (Power Bowl Lift)	1
20	SD-012-20	Self-Tapping Screw 8-32 x 1/2 Phil. Truss Hd., Type T (Power Bowl Lift)	2
21	SD-015-20	Self-Tapping Screw 10-32 x 3/8 Phil. Pan Hd., Type TT	2
22	WL-007-12	Lockwasher #10 External Shakeproof	2
23	00-120907-00001	Transformer (60 Hz.)	1
24	00-120908-00001	Transformer (50 Hz.)	1
25	SC-019-33	Mach. Screw 8-32 x 1/2 Slotted Bndg. Hd.	2
26	WL-007-07	Lockwasher #8 External Shakeproof	2
27	NS-009-12	Mach. Nut 8-32 Hex	2
28	00-114707	Terminal & Fuse Board (Use with Items 23 & 24)	1
29	SC-036-14	Cap Screw 1/4-20 x 1/2 Hex Hd.	1
30	WL-003-38	Lockwasher 1/4 Medium	1
31	FE-016-30	Fuse (2 Amp.) (Use with Items 23 & 24)	2

*Give Elec. Spec., Mach. Model, & Motor Type.



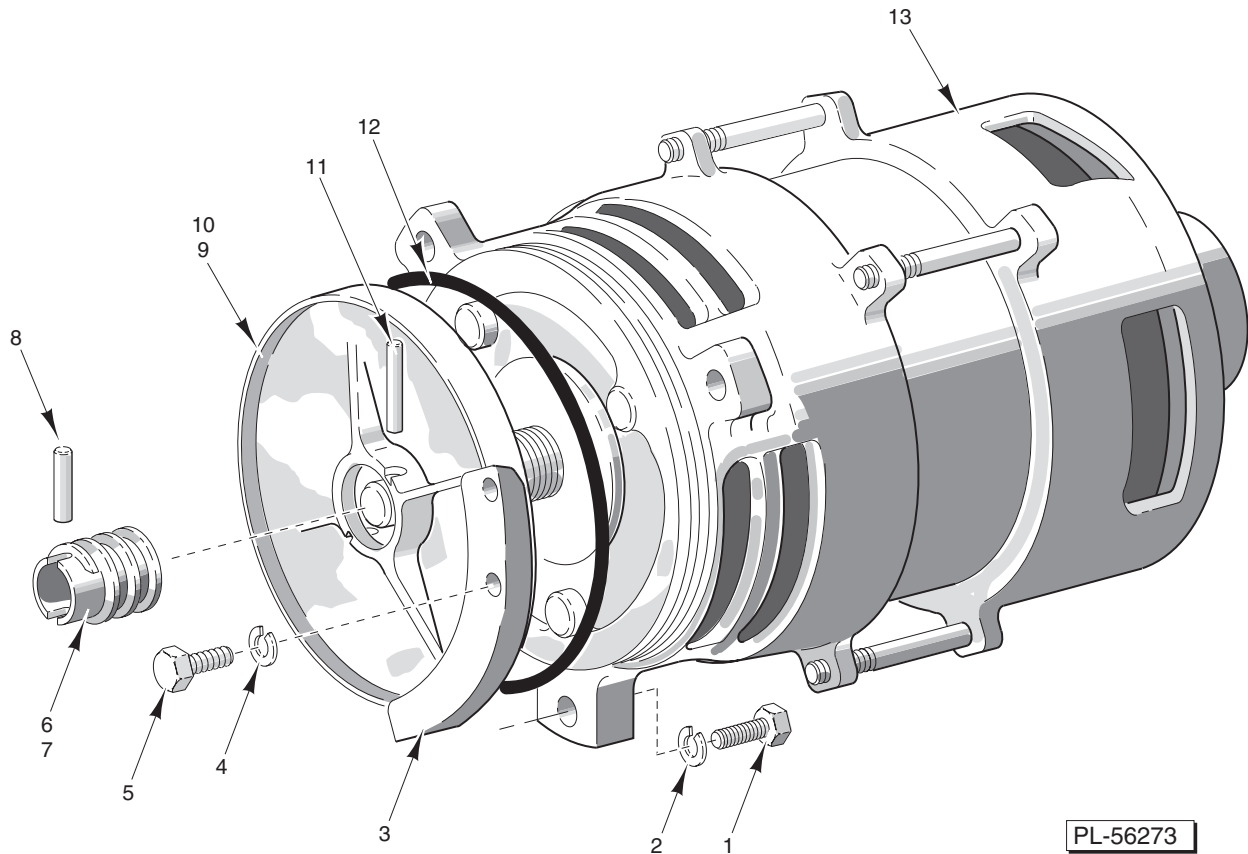
PL-57417

BASE AND PEDESTAL UNIT

BASE AND PEDESTAL UNIT

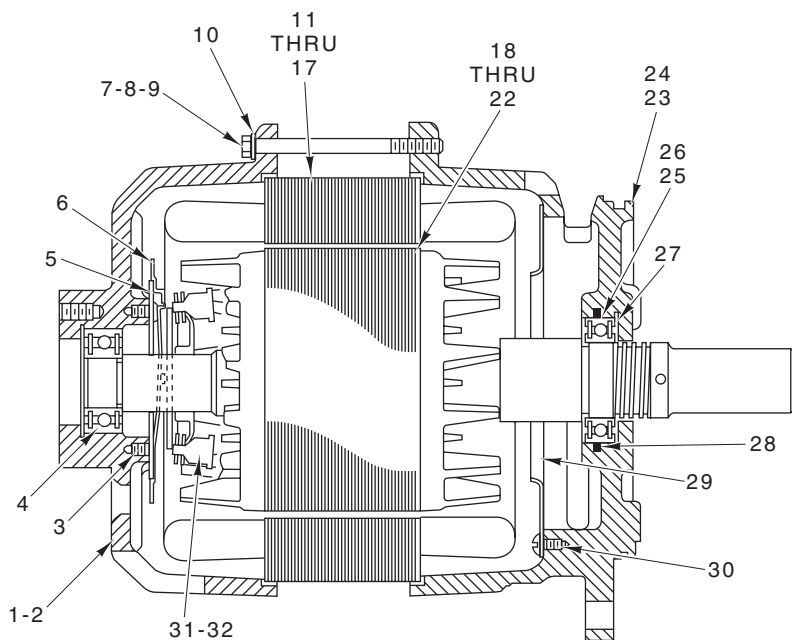
ILLUS.	PART NO.	NAME OF PART	AMT.
PL-57417			
1	00-124475-00001	Top Cover Assy. (Incls. Items 6 & 7) (H600) (Painted) (Packaged)	1
2	00-124475-00002	Top Cover Assy. (Incls. Items 6 & 8) (L800) (Painted) (Packaged)	1
3	00-478571-00005	Top Cover Assy. (Incls. Item 5) (H600) (Deluxe) (Packaged)	1
4	00-478571-00006	Top Cover Assy. (Incls. Item 5) (L800) (Deluxe) (Packaged)	1
5	00-024781-00006	Seat – Top Cover (Deluxe)	1
6	00-123687-00002	Gasket (39 ³ / ₄ In.) (Painted)	1
7	00-123687-00003	Gasket (42 In.) (H600) (Painted)	1
8	00-123687-00004	Gasket (44 ³ / ₄ In.) (L800) (Painted)	1
9	00-121821-00005	Pedestal Assy. (Painted)	1
10	00-121821-00003	Pedestal Assy. Power Bowl Lift (Painted)	1
11	00-121821-00002	Pedestal Assy. (Deluxe)	1
12	00-121821-00004	Pedestal Assy. Power Bowl Lift (Deluxe)	1
13	00-118544-00001	Lug – Solderless	1
14	SD-029-02	Self-Tapping Screw 10-24 x 1/2 Slotted Pan Hd., Type F	1
15	WL-007-12	Lockwasher #10 External Shakeproof	1
16	00-011800-00143	Dowel	2
17	00-024260	Apron – Pedestal (L800)	1
18	00-438099	Apron – Pedestal (H600)	1
19	00-437441	Spacer – Mounting	2
20	SC-081-43	Mach. Screw 6-32 x 1 1/2 Slotted Rd. Hd.	2
21	WL-014-03	Lockwasher #6 External	2
22	00-087711-060-1	Switch – Interlock (Incls. Item 22)	1
23	FE-022-84	Connector – Strain Relief	1
24	00-123109	Screw 6-32 x 3/8 Serrated Hd.	1
25	WS-023-15	Washer	1
26	00-078752-00012	Clamp – Cable 1/4 P	1
27	00-113703	Cable Tie	1
28	00-070641-00019	Thumb Screw	2
29	SC-121-34	Mach. Screw 10-24 x 1/2 Hex Button Hd. (SST) (H600C & L800C)	2
30	00-068237	Cover – Left Slideway (Deluxe)	1
31	00-068236	Cover – Right Slideway (Deluxe)	1
32	00-070641-00009	Thumb Screw	2
33	SC-121-34	Mach. Screw 10-24 x 1/2 Hex Button Hd. (SST) (H600C & L800C)	2
34	00-110222-00002	Base Assy. (Painted)	1
35	00-110231-00002	Base Assy. (Deluxe)	1
36	SC-092-62	Cap Screw 3/8-16 x 1 1/2 Soc. Fil. Hd.	12
37	WL-004-04	Lockwasher 3/8 Light	12
38	00-070641-00009	Thumb Screw	4
39	SC-121-34	Mach. Screw 10-24 x 1/2 Hex Button Hd. (SST) (H600C & L800C)	4
40	00-315011	Bowl Truck Assy. (Incls. Item 44) (Painted) (Packaged)	1
41	00-315013	Bowl Truck Assy. (Incls. Item 44) (Deluxe) (Packaged)	1
42	00-087669-00001	Caster – Bowl Truck	4
43	WL-004-11	Lockwasher 1/2 Medium	4
44	SC-062-83	Cap Screw 1/2-13 x 1 1/2 Hex Hd.	4
*45	-	Plug – Base	AR
	00-315003	Adapter 60 Qt. to 40/30 Qt. – Bowl Truck (Packaged)	1
	00-477596	Feet Kit (SST)	1

* No Replacement Part Available.



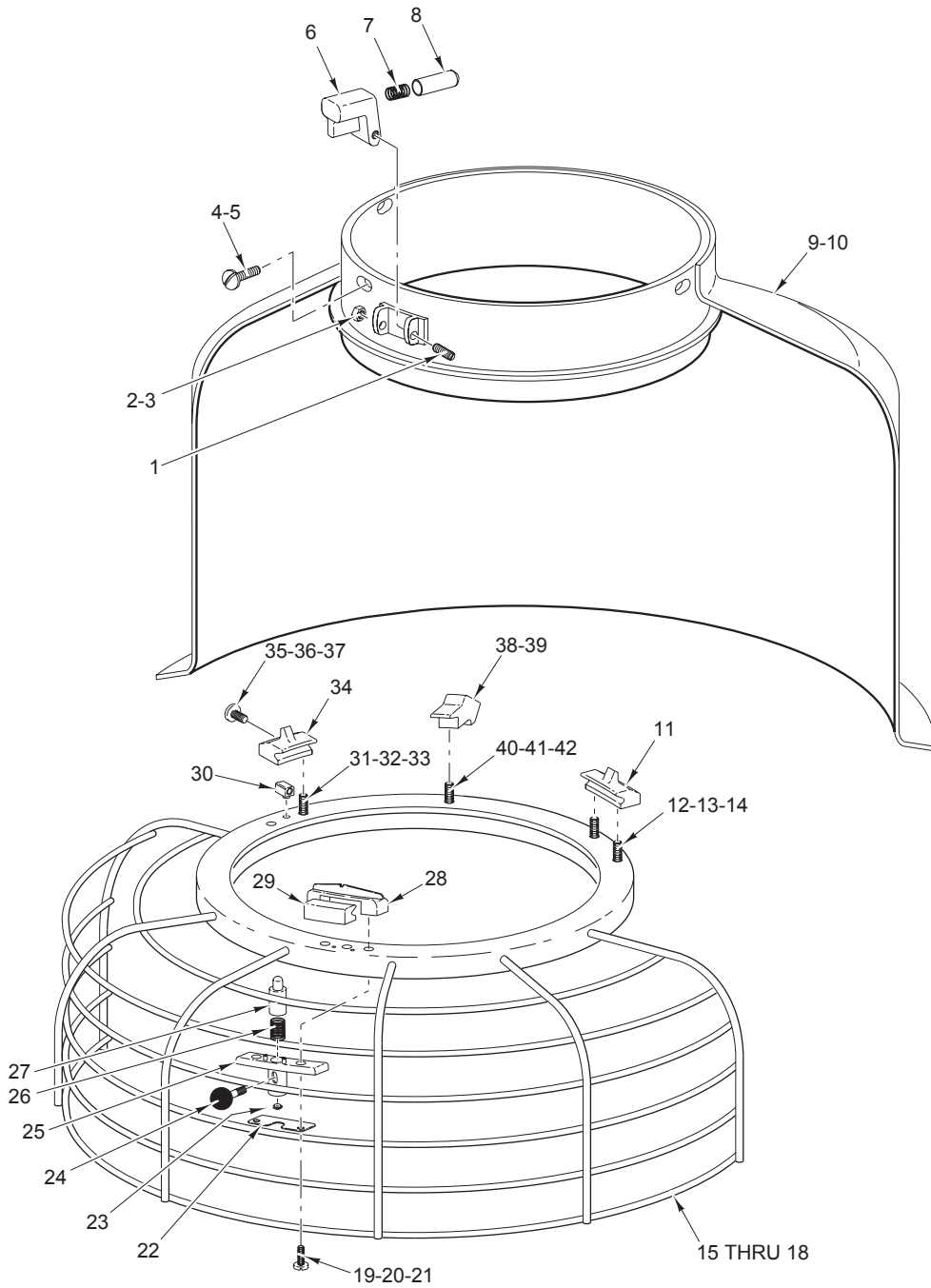
MOTOR

ILLUS.	PART NO.	NAME OF PART	AMT.
PL-56273			
1	SC-062-88	Cap Screw 1/2-13 x 1 1/4 Hex Hd.	3
2	WL-004-11	Lockwasher 1/2 Light	3
3	00-024610	Guide – Oil Flinger	1
4	WL-003-43	Lockwasher 5/16 Light	2
5	SC-036-28	Cap Screw 5/16-18 x 1 1/4 Hex Hd.	2
6	00-024298	Worm – Drive (5T) (H600, 60 Hz.; L800, 50 Hz.)	1
7	00-024291	Worm – Drive (5T) (H600, 50 Hz.)	1
8	RP-002-06	Roll Pin 1/4 Dia. x 1 Lg. (H600, 50/60 Hz.; L800, 50 Hz.)	1
9	00-291457-00001	Flinger and Hub Assy. (L800, 60 Hz.)	1
10	00-291457-00002	Flinger and Hub Assy. (H600, 50/60 Hz.; L800, 50 Hz.)	1
11	RP-002-28	Roll Pin 3/16 Dia. x 3/4 Lg.	1
12	00-067500-00024	O-Ring – Bearing Bracket	1
13	Motor		
	00-120887-00002	H600 (115/230 V., 60 Hz., 1 Ph.)	1
	00-120887-00004	H600 (200 V., 60 Hz., 1 Ph.)	1
	00-120887-00006	H600 (115/220 V., 50 Hz., 1 Ph.) L800 (220 V., 50 Hz., 1 Ph.)	1
	00-120886-00002	H600 (230/460 V., 60 Hz., 3 Ph.)	1
	00-120886-00004	H600 (200 V., 60 Hz., 3 Ph.)	1
	00-120904-00002	H600, L800 (220/380 V., 50 Hz., 3 Ph.)	1
	ML-019330-000DP	L800 (200 V., 60 Hz., 1 Ph.)	1
	ML-019330-000DA	L800 (230 V., 60 Hz., 1 Ph.)	1
	ML-019330-000DN	L800 (200 V., 60 Hz., 3 Ph.)	1
	ML-019330-000DB	L800 (230/460 V., 60 Hz., 3 Ph.)	1
	ML-019330-000AG	L800 (550 V., 60 Hz., 3 Ph.)	1



MOTOR PARTS

ILLUS.	PART NO.	NAME OF PART	AMT.
PL-56274			
1	00-119537-00002	Bracket – Bearing (Switch End) (1 Ph.)	1
2	00-119537-00001	Bracket – Bearing (Switch End) (3 Ph.)	1
3	SC-009-49	Mach. Screw 6-32 x 3/8 Slotted Rd. Hd. (1 Ph.)	2
4	BB-016-23	Ball Bearing – Fafnir #W205PP	1
5	00-121111	Insulator – Switch (1 Ph.)	1
6	00-121110	Switch – Starting (Stationary Part) (1 Ph.)	1
7	SC-111-34	Cap Screw 1/4-20 x 4 Hex Hd. (60 Hz.) (1 Ph.)	4
8	SC-111-33	Cap Screw 1/4-20 x 3 1/2 Hex Hd. (3 Ph.)	4
9	SC-111-02	Cap Screw 1/4-20 x 4 1/2 Hex Hd. (50 Hz.) (H600) (1 Ph.)	4
10	WL-003-38	Lockwasher 1/4 Medium	4
11	00-065477-136-2	Stator Assy. (115/230 V., 60 Hz., 1 Ph.)	1
12	00-065477-136-6	Stator Assy. (115/220 V., 50 Hz., 1 Ph.)	1
13	00-065477-136-4	Stator Assy. (200/208 V., 60 Hz., 1 Ph.)	1
14	00-065478-130-3	Stator Assy. (200/400 V., 60 Hz., 3 Ph.)	1
15	00-065478-130-4	Stator Assy. (230/460 V., 60 Hz., 3 Ph.)	1
16	00-065478-131-2	Stator Assy. (220/380 V., 50 Hz., 3 Ph.)	1
17	00-065478-132-2	Stator Assy. (575 V., 60 Hz., 3 Ph.)	1
18	00-022275-00225	Rotor Assy. (H600, 60 Hz., 1 Ph.)	1
19	00-022275-00239	Rotor Assy. (L800, 60 Hz., 1 Ph.)	1
20	00-022275-00224	Rotor Assy. (H600 & L800, 50 Hz., 1 Ph.)	1
21	00-015747-00294	Rotor Assy. (H600 3 Ph. & L800 220/380 V., 50 Hz., 3 Ph.)	1
22	00-015747-00296	Rotor Assy. (L800 3 Ph. Except 220/380 V., 50 Hz., 3 Ph.)	1
23	00-274697-00002	Bracket – Bearing (Gear End) (H600 Series & L800 220/380 V., 50 Hz., 3 Ph.)	1
24	00-274697-00003	Bracket – Bearing (Gear End) (L800 Series Except 220/380 V., 50 Hz., 3 Ph.)	1
25	BB-017-26	Ball Bearing – NSK #6206 DDUCE (H600 Series & L800 220/380 V., 50 Hz., 3 Ph.)	1
26	BB-015-36	Ball Bearing – NSK #6007DDUCE (L800 Series Except 220/380 V., 50 Hz., 3 Ph.)	1
27	SL-003-10	Loading Spring – N.D. #62	1
28	OR-001-02	O-Ring (Quad)	1
29	00-120864	Baffle – Air	1
30	SC-009-79	Mach. Screw 6-32 x 5/16 Slotted Rd. Hd.	3
31	00-117549-00003	Actuator – Rotary (50 Hz., 1 Ph.)	1
32	00-117549-00002	Actuator – Rotary (60 Hz., 1 Ph.)	1

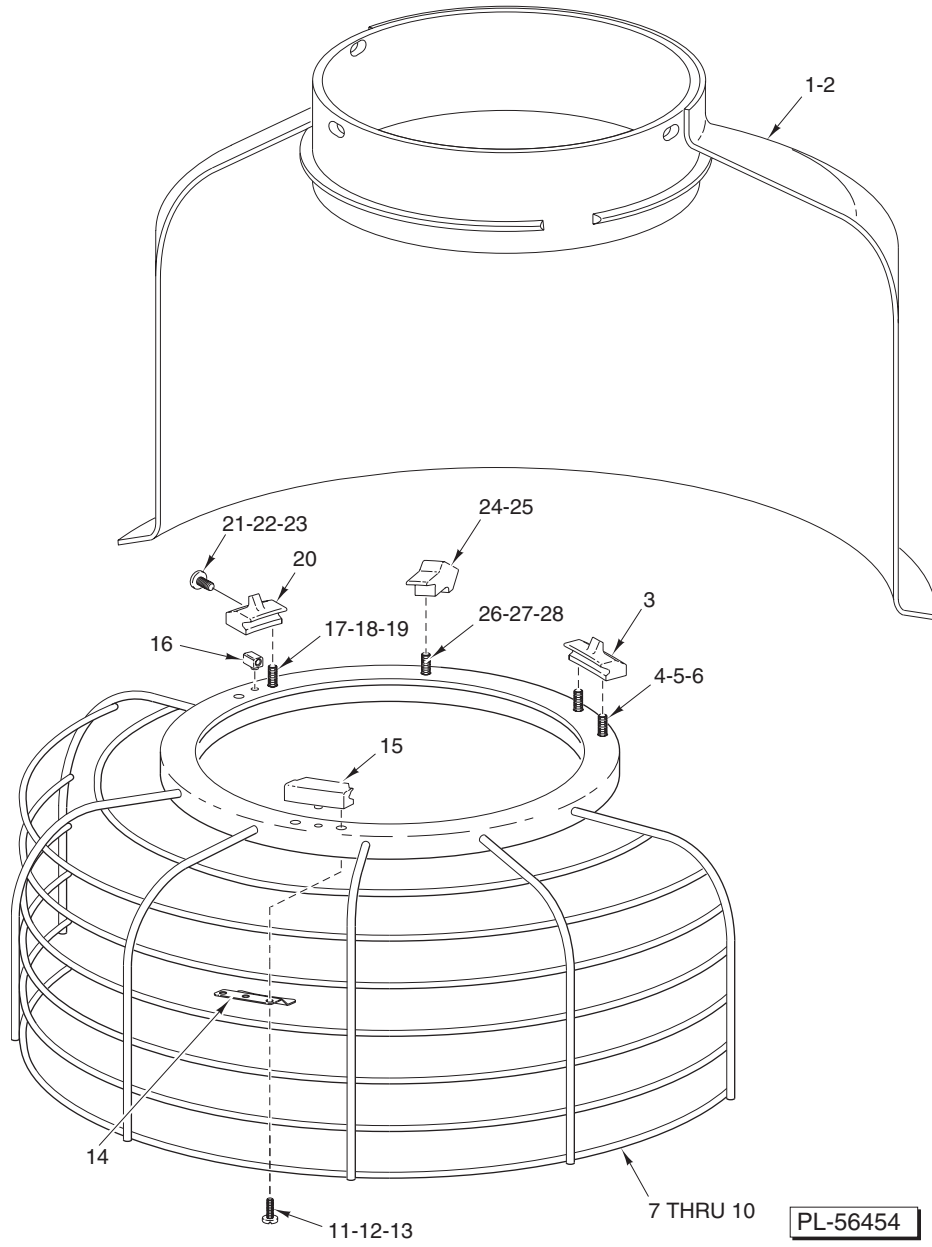


PL-56275

**BOWL GUARD UNIT
(PREVIOUS CONSTRUCTION)**

**BOWL GUARD UNIT
(PREVIOUS CONSTRUCTION)**

ILLUS. PL-56275	PART NO.	NAME OF PART	AMT.
1	00-478602	Shoulder Screw Slotted Hd.	1
2	NS-031-50	Stop Nut 6-32 Special (SST)	1
3	NS-011-07	Mach. Nut 6-32 Hex (SST) (H600C & L800C)	1
4	SC-021-37	Mach. Screw 1/4-20 x 3/8 Slotted Rd. Hd. (SST)	3
5	SC-122-52	Mach. Screw 1/4-20 x 3/8 Hex Button Hd. (SST) (H600C & L800C)	3
6	00-479010	Latch – Cage Detent	1
7	00-437446-00001	Spring – Cage Detent	1
8	00-437445	Plunger – Drip Cup	1
9	00-874997	Splash Guard Assy. (H600)	1
10	00-874994	Splash Guard Assy. (L800)	1
11	00-437433-00002	Shoe – Fixed	1
12	SC-122-45	Mach. Screw 1/4-20 x 3/8 Slotted Truss Hd. (SST)	2
13	SC-122-52	Mach. Screw 1/4-20 x 3/8 Hex Button Hd. (SST) (H600C & L800C)	2
14	00-512987	Loctite 222	AR
15	00-874999-00001	Wire Cage Assy. (H600)	1
16	00-874999-00002	Wire Cage Assy. (L800)	1
17	00-874992-00001	Wire Cage Assy. (H600C)	1
18	00-874992-00002	Wire Cage Assy. (L800C)	1
19	SC-122-46	Mach. Screw 1/4-20 x 3/4 Slotted Truss Hd. (SST)	2
20	SC-122-68	Mach. Screw 1/4-20 x 3/4 Hex Button Hd. (SST) (H600C & L800C)	2
21	00-512987	Loctite 222	AR
22	00-437691	Stop – Cage	1
23	00-438053	Plug – Plunger Housing	1
24	00-437436	Pin – Plunger	1
25	00-437447	Housing & Pin Assy.	1
26	00-437446-00002	Spring – Cage On/Off	1
27	00-437432	Plunger	1
28	00-437437-00002	Saddle – Shoe	1
29	00-437433-00001	Shoe – Saddle	1
30	00-437720	Key – Shoe	1
31	SC-122-45	Mach. Screw 1/4-20 x 3/8 Slotted Truss Hd. (SST)	2
32	SC-122-52	Mach. Screw 1/4-20 x 3/8 Hex Button Hd. (SST) (H600C & L800C)	2
33	00-512987	Loctite 222	AR
34	00-437433-00003	Shoe – Adjustable	1
35	SC-123-07	Mach. Screw 8-32 x 1/2 Slotted Truss Hd. (SST)	1
36	SC-122-76	Mach. Screw 8-32 x 1/2 Hex Button Hd. (SST) (H600C & L800C)	1
37	00-512987	Loctite 222	AR
38	00-437442	Retainer – Magnet (H600 Series)	1
39	00-438086	Retainer – Magnet (L800 Series)	1
40	SC-122-44	Mach. Screw 8-32 x 3/8 Slotted Truss Hd. (SST)	1
41	SC-121-92	Mach. Screw 8-32 x 3/8 Hex Button Hd. (SST) (H600C & L800C)	1
42	00-512987	Loctite 222	AR
	00-479016	Splash Guard Kit (Incls. Items 1, 2, & 6)	1

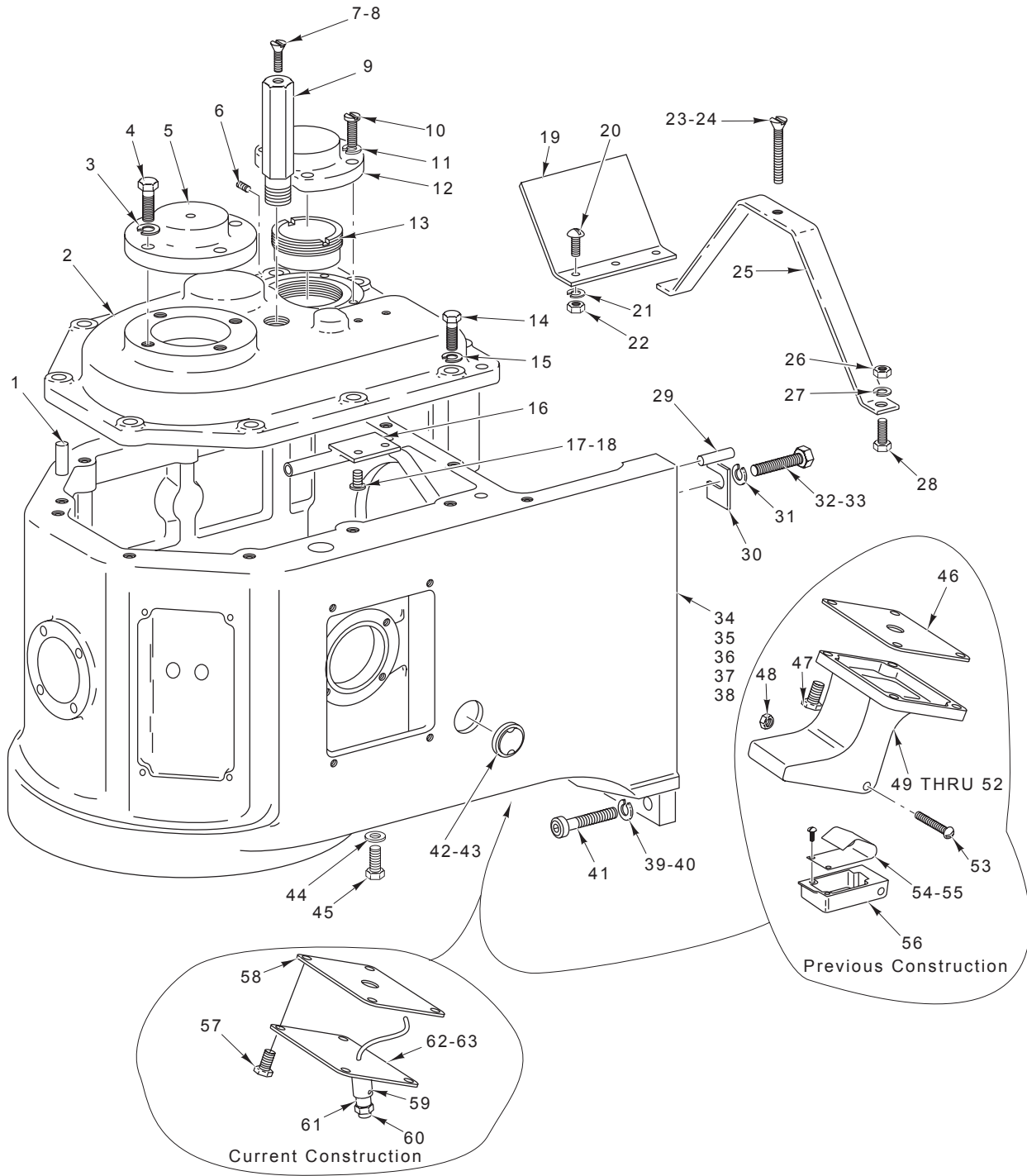


PL-56454

**BOWL GUARD UNIT
(CURRENT CONSTRUCTION)**

**BOWL GUARD UNIT
(CURRENT CONSTRUCTION)**

ILLUS.	PART NO.	NAME OF PART	AMT.
PL-56454			
1	00-874997	Splash Guard Assy. (H600 Series).....	1
2	00-874994	Splash Guard Assy. (L800 Series)	1
3	00-437433-00002	Shoe – Fixed	2
4	SC-122-45	Mach. Screw 1/4-20 x 3/8 Slotted Truss Hd. (SST)	2
5	SC-122-52	Mach. Screw 1/4-20 x 3/8 Hex Button Hd. (SST) (H600C & L800C)	2
6	00-512987	Loctite 222 (H600C & L800C)	AR
7	00-874999-00001	Wire Cage Assy. (H600) (Incls. Items 3, 4, 11, 14 thru 17, 20, 21, 24, & 26)	1
8	00-874999-00002	Wire Cage Assy. (H600C) (Incls. Items 3, 5, 12 thru 16, 18, 19, 20, 22, 23, 27, & 28)	1
9	00-874992-00001	Wire Cage Assy. (L800) (Incls. Items 3, 4, 11, 14 thru 17, 20, 21, 25, & 26)	1
10	00-874992-00002	Wire Cage Assy. (L800C) (Incls. Items 3, 5, 6, 12 thru 16, 18, 19, 20, 22, 23, 25, 27, & 28) ..	1
11	SC-122-45	Mach. Screw 1/4-20 x 3/8 Slotted Truss Hd. (SST)	2
12	SC-122-52	Mach. Screw 1/4-20 x 3/8 Hex Button Hd., (SST) (H600C & L800C)	2
13	00-512987	Loctite 222 (H600C & L800C)	AR
14	00-874995	Stop – Cage	1
15	00-874126	Shoe – Front	1
16	00-437720	Key – Shoe	1
17	SC-122-45	Mach. Screw 1/4-20 x 3/8 Slotted Truss Hd. (SST)	2
18	SC-122-52	Mach. Screw 1/4-20 x 3/8 Hex Button Hd. (SST) (H600C & L800C)	2
19	00-512987	Loctite 222 (H600C & L800C)	AR
20	00-437433-00003	Shoe – Adjustable	1
21	SC-123-07	Mach. Screw 8-32 x 1/2 Slotted Truss Hd. (SST)	1
22	SC-122-76	Mach. Screw 8-32 x 1/2 Hex Button Hd. (SST) (H600C & L800C)	1
23	00-512987	Loctite 222 (H600C & L800C)	AR
24	00-437442	Retainer – Magnet (H600 Series)	1
25	00-438086	Retainer – Magnet (L800 Series)	1
26	SC-122-44	Mach. Screw 8-32 x 1/2 Slotted Truss Hd. (SST)	1
27	SC-122-92	Mach. Screw 8-32 x 1/2 Hex Button Hd. (SST) (H600C & L800C)	1
28	00-512987	Loctite 222 (H600C & L800C)	AR
	00-875535	Barrier Kit (H600 Series)	1
	00-875536	Barrier Kit (L800 Series)	1



PL-57422

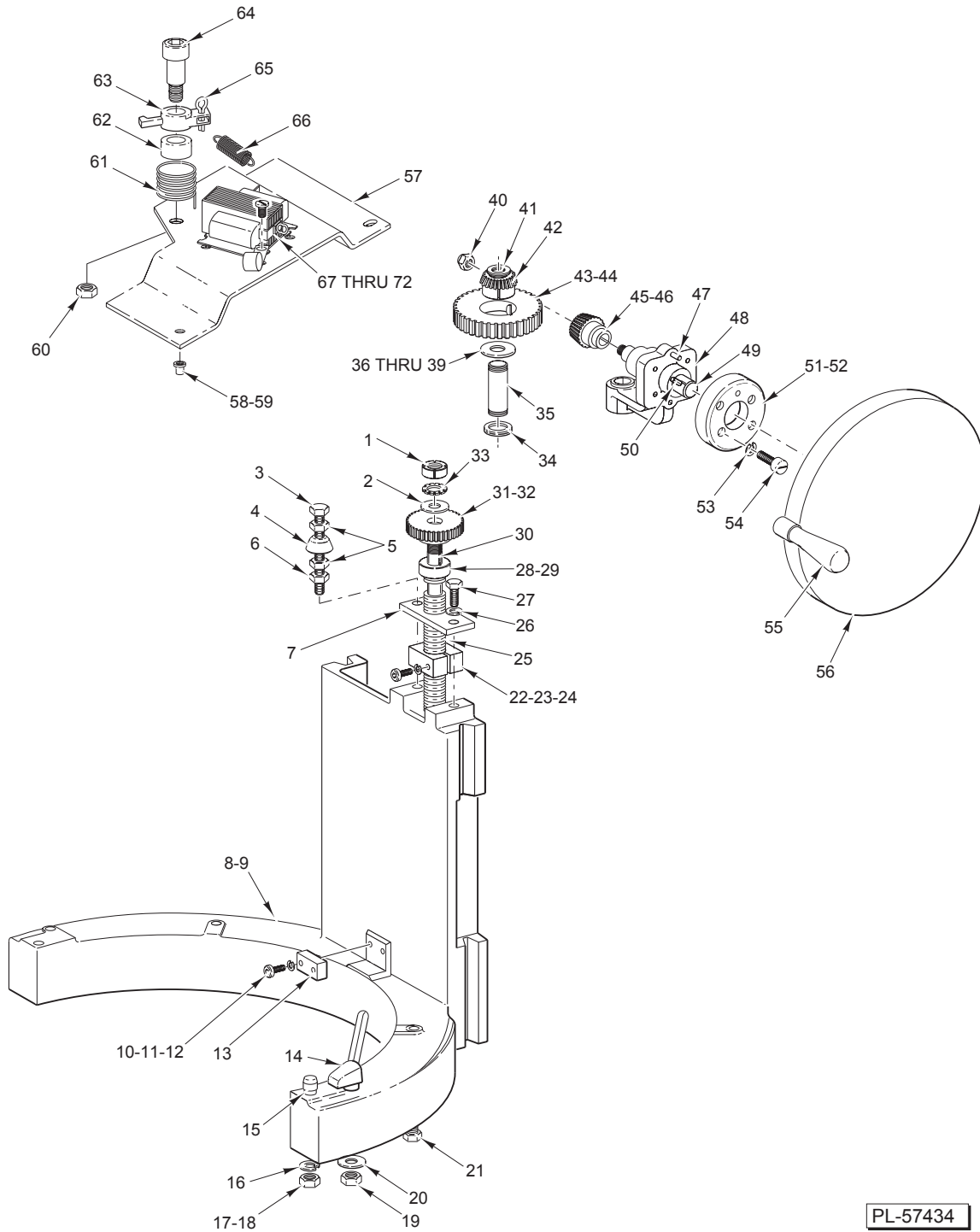
TRANSMISSION CASE UNIT

ILLUS.	PART NO.	NAME OF PART	AMT.
PL-57422			
1	00-011800-00224	Dowel	2
2	00-024203	Cover – Transmission Case	1
3	WL-003-44	Lockwasher ⁵ / ₁₆ Medium	4
4	SC-036-28	Cap Screw ⁵ / ₁₆ -18 x 1 ¹ / ₄ Hex Hd.	4

TRANSMISSION CASE UNIT

ILLUS. PL-57422	PART NO.	NAME OF PART	AMT.
5	00-024255	Retainer – Planetary Bearing	1
6	SC-047-70	Set Screw 10-32 x 3/8 Soc. Hdls., Cup Pt.	2
7	SC-120-29	Mach. Screw 1/4-20 x 1 Phil. Oval Hd.	1
8	SC-121-39	Mach. Screw 1/4-20 x 2 Hex Flat Hd. (SST) (H600C & L800C)	1
9	00-292642	Support – Top Cover Front	1
10	SC-038-05	Cap Screw 1/4-20 x 1 Slotted Fil. Hd.	4
11	WL-003-37	Lockwasher 1/4 Medium	4
12	00-024256	Retainer – Upper Worm Shaft Bearing	1
13	00-024254	Sleeve – Worm Gear Adjusting	1
14	SC-062-48	Cap Screw 3/8-16 x 1 1/8 Hex Hd.	10
15	WL-004-04	Lockwasher 3/8 Light	10
16	00-024253	Oil Delivery Tube & Plate Assy.	1
17	SC-060-03	Mach. Screw 10-24 x 3/4 Slotted Rd. Hd.	2
18	NS-032-01	Stop Nut 10-24 Flexloc	2
19	00-292409	Shield	1
20	SC-009-69	Mach. Screw 6-32 x 1/2 Rd. Hd.	2
21	WL-003-09	Lockwasher #6 Medium	2
22	NS-009-07	Mach. Nut 6-32 Hex	2
23	SC-120-30	Mach. Screw 1/4-20 x 3/4 Phil. Oval Hd.	2
24	SC-122-02	Mach. Screw 1/4-20 x 2 Hex Flat Hd. (SST) (H600C & L800C)	1
25	00-479523	Strap – Top Anchoring	1
26	NS-013-01	Hex Nut 1/4-20	2
27	WL-003-37	Lockwasher 1/4 Medium	2
28	SC-036-04	Cap Screw 1/4-20 x 3/4 Slotted Hex Hd.	2
29	00-011800-00221	Dowel	1
30	00-068288	Shim (0.0179 In. Thk.)	AR
31	WL-004-11	Lockwasher 1/2 Medium	4
32	SC-062-66	Cap Screw 1/2-13 x 1 3/4 Hex Hd.	2
33	SC-062-67	Cap Screw 1/2-13 x 2 1/4 Hex Hd.	2
34	00-120561-00002	Case – Transmission (H600 Series) (Painted)	1
35	00-120561-00006	Case – Transmission (H600 Series) (Deluxe) (Bright Chrome)	1
36	00-120561-00005	Case – Transmission (H600 Series) (Deluxe) (Satin Chrome)	1
37	00-120559-00002	Case – Transmission (L800 Series) (Painted)	1
38	00-120559-00006	Case – Transmission (L800 Series) (Deluxe)	1
39	WL-004-11	Lockwasher 1/2 Medium	2
40	WL-019-93	Lockwasher 1/2 High Collar	2
41	SC-040-36	Cap Screw 1/2-13 x 1 3/4 Soc. Fil. Hd.	2
42	00-022793	Gauge – Oil Level	1
43	00-290488	Gasket – Oil Gauge	1
44	WS-021-21	Washer	1
45	SC-041-42	Cap Screw 1/2-20 x 1 Hex Hd. (SST)	1
46	00-024665	Gasket – Transmission Case Cover Plate	1
47	SC-113-96	Mach. Screw 8-32 x 1/2 Hex Washer Hd.	4
48	NS-031-08	Stop Nut 8-32 Special (SST)	1
49	00-437448-00002	Housing – Reed Switch (H600 Series) (Painted)	1
50	00-437448-00003	Housing – Reed Switch (H600 Series) (Deluxe)	1
51	00-438063-00002	Housing – Reed Switch (L800 Series) (Painted)	1
52	00-438063-00003	Housing – Reed Switch (L800 Series) (Deluxe)	1
53	SC-116-66	Mach. Screw 8-32 x 2 Slotted Rd. Hd. (SST)	1
54	-	Spring – Reed Switch	1
55	SC-018-50	Mach. Screw 6-32 x 1/4 Slotted Pan Hd.	2
56	00-087711-304-1	Switch – Reed	1
57	SC-113-96	Mach. Screw 8-32 x 1/2 Slotted Hex Washer Hd.	4
58	00-024665	Gasket – Transmission Case Cover Plate	1
59	SC-047-73	Set Screw 8-32 x 3/16	1
60	00-087711-347-1	Switch Reed	1
61	00-874959-00001	Tube – Reed Switch	1
62	00-874988-00001	Housing – Reed Switch (H600 Series)	1
63	00-874988-00002	Housing – Reed Switch (L800 Series)	1
	00-874986-00001	Reed Switch & Housing Assy. (H600 Series)	1
	00-874987	Reed Switch & Housing Assy. (L800 Series)	1

*For Service Use Items 58 thru 62 or 63.



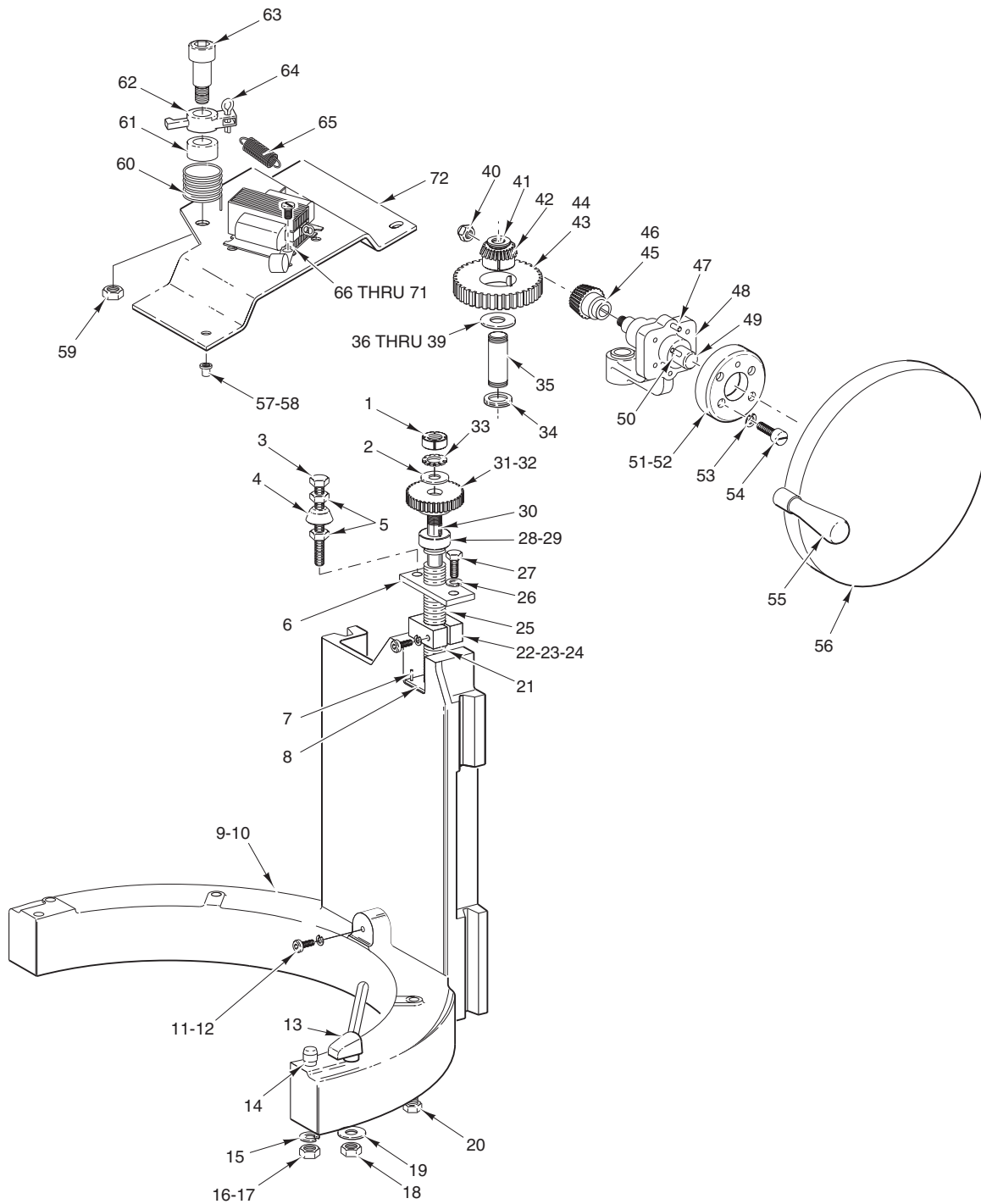
PL-57434

BOWL SUPPORT AND LIFT UNIT (H600 SERIES)

ILLUS.	PART NO.	NAME OF PART	AMT.
PL-57434			
1	NS-034-04	Lock Nut N.D. #N-03	1
2	WS-010-17	Washer	1
3	SC-124-92	Cap Screw ³ / ₈ -16 x 3 ¹ / ₂ Hex Hd.	1
4	00-437430	Actuator – Bowl	1
5	NS-048-24	Stop Nut ³ / ₈ -16 ESNA	2
6	NS-017-16	Jam Nut ³ / ₈ -16 Hex	1
7	00-024201	Retainer – Bowl Lift Nut	1

BOWL SUPPORT AND LIFT UNIT (H600 SERIES)

ILLUS.	PART NO.	NAME OF PART	AMT.
PL-57434			
8	00-124685-00002	Support – Bowl	1
9	00-124685-00004	Support – Bowl (Deluxe)	1
10	SC-040-10	Cap Screw 1/4-20 x 3/4 Soc. Hex Hd. (Painted)	2
11	SC-040-68	Cap Screw 1/4-20 x 3/4 Soc. Fil. Hd. (Deluxe)	2
12	WL-003-35	Lockwasher 1/4 Helical	2
13	00-024296	Retainer – Bowl	1
14	00-065922-00019	Bowl Clamp (LH/RH)	2
15	00-120349	Stud – Bowl Locating	2
16	WL-004-11	Lockwasher 1/2 Light	2
17	NS-017-27	Jam Nut 1/2-13 Hex	2
18	NS-017-25	Jam Nut 1/2-13 Hex	2
19	NS-046-18	Lock Nut 5/8-11 Hex Nylok	2
20	00-064636	Washer – Bowl Clamp	2
21	SC-037-74	Cap Screw 3/8-16 x 1 1/2 Hex Hd.	1
22	00-024198	Nut – Bowl Lift Screw	1
23	SC-012-37	Mach. Screw 1/4-20 x 3/4 Slotted Fil. Hd.	1
24	WL-004-40	Lockwasher #10 Helical	1
25	00-290052-00001	Screw – Bowl Lift	1
26	WL-004-04	Lockwasher 3/8 Light	1
27	SC-118-11	Cap Screw 3/8-16 x 7/8 Hex Hd.	1
28	BB-005-30	Ball Bearing NSK #6203DDUCE	1
29	WS-010-17	Washer	1
30	00-012430-00043	Key 3/16 Sq. x 7/16 Lg.	1
31	00-024193	Gear – Bowl Lift Screw (31T)	1
32	WS-010-17	Washer	2
33	WL-012-04	Lockwasher N.D. #W-03	1
34	RR-005-02	Retaining Ring (Spirollox)	1
35	00-024194	Shaft – Miter Gear	1
36	00-024614-00003	Washer – Miter Gear Spacer (0.086 In. Thk.)	AR
37	00-024614-00004	Washer – Miter Gear Spacer (0.081 In. Thk.)	AR
38	00-024614-00005	Washer – Miter Gear Spacer (0.076 In. Thk.)	AR
39	00-024614-00006	Washer – Miter Gear Spacer (0.071 In. Thk.)	AR
40	NS-032-29	Stop Nut 1/2-20 Flexloc	1
41	RR-005-02	Retaining Ring (Spirollox)	1
42	00-024195-00002	Gear – Bowl Lift Miter (23T)	1
43	KW-003-03	Key – #404 Woodruff	1
44	00-024192	Gear – Bowl Lift Screw (41T)	1
45	00-024196-00002	Pinion – Bowl Lift Miter (23T)	1
46	00-012430-00041	Key 3/16 Sq. x 1 1/16 Lg.	1
47	RP-002-06	Roll Pin 1/4 Dia. x 1 Lg.	2
48	00-089684	Handwheel Bracket & Bearing Assy.	1
49	00-024191	Shaft – Hand Wheel	1
50	PG-007-19	Grooved Pin 1/4 x 2 3/4, Type E	1
51	00-024609-00003	Ring – Handwheel Brkt. Clamping (Deluxe)	1
52	00-024609-00001	Ring – Handwheel Brkt. Clamping	1
53	WL-003-48	Lockwasher 5/16 High Collar	4
54	SC-011-95	Mach. Screw 3/16-18 x 1 Slotted Fil. Hd.	4
55	00-024765	Handle – Bowl Lift Handwheel	1
56	00-435235	Handwheel & Handle Assy. (Incls. Item 56)	1
57	00-438414	Plate – Bowl Lock	1
58	00-120100	Nut – Vibration Mount	3
59	SC-037-87	Cap Screw 1/4-20 x 1 Hex Hd.	3
60	NS-048-24	Stop Nut Special 3/8-16 ESNA	1
61	00-438575	Spring – Torsion	1
62	00-438516	Spacer – Lever	1
63	00-438413-00002	Lever – Bowl Lock	1
64	SC-086-24	Shoulder Screw 3/8-16 x 1 1/2 Lg. Soc. Hex Hd.	1
65	PC-006-32	Cotter Pin	1
66	00-438494	Spring – Extension	1
67	00-875737-00001	Solenoid (115 V. Coil)	1
68	00-875737-00002	Solenoid (230 V. Coil)	1
69	00-438614-001-3	Solenoid (115/230 V. Coil)	1
70	SC-018-20	Mach. Screw 10-24 x 1/2 Slotted Pan Hd.	4
71	NS-048-20	Stop Nut 10-24 Flexloc	4
72	00-078752-00011	Clamp	1



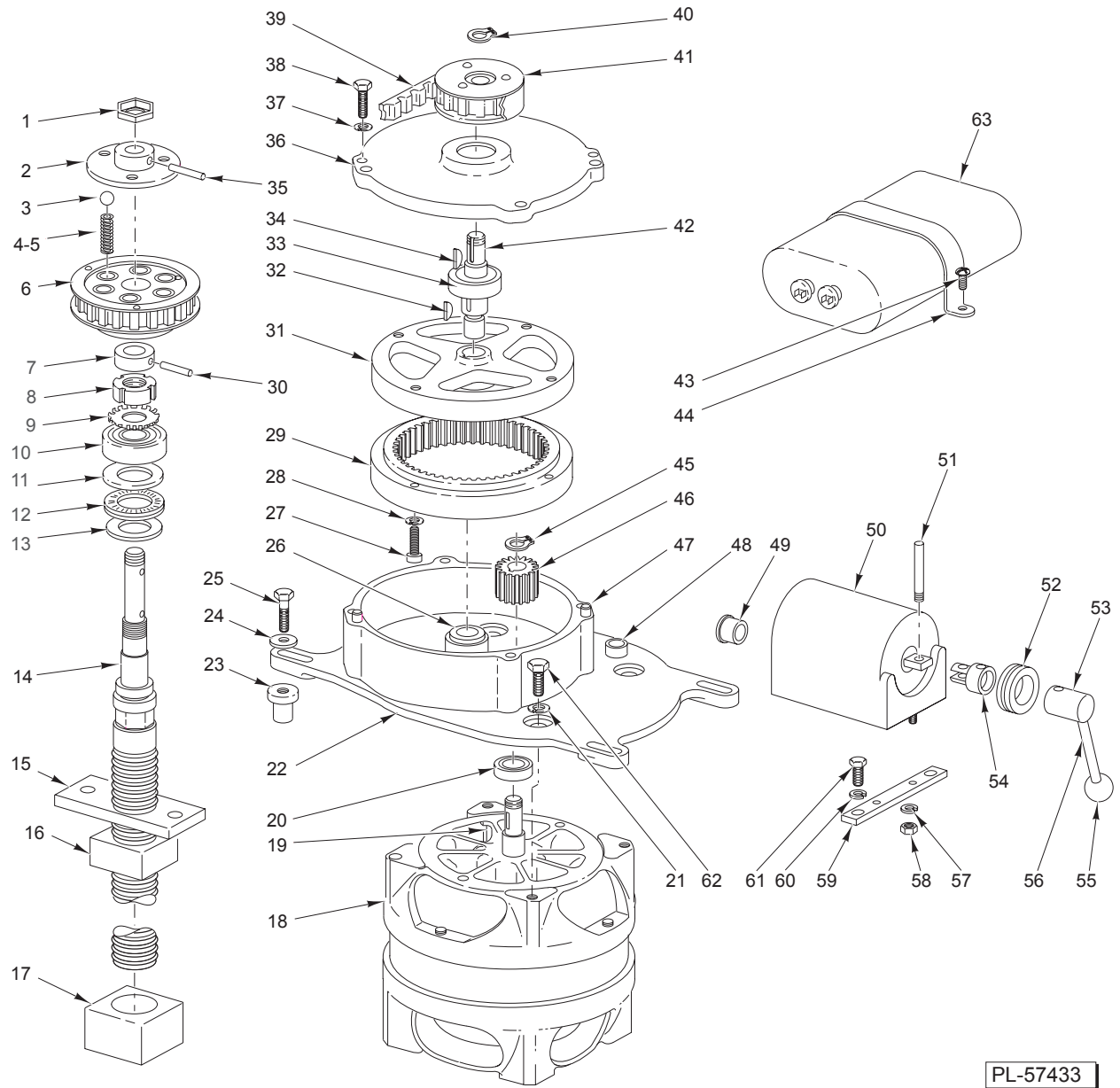
PL-57435

BOWL SUPPORT AND LIFT UNIT (L800 SERIES)

ILLUS.	PART NO.	NAME OF PART	AMT.
PL-57435			
1	NS-034-04	Lock Nut N.D. #N-03	1
2	WS-010-17	Washer	1
3	SC-124-91	Cap Screw $\frac{3}{8}$ -16 x 2 $\frac{1}{2}$ Hex Hd.	1
4	00-437430	Actuator – Bowl	1
5	NS-017-16	Jam Nut $\frac{3}{8}$ -16 Hex	2
6	00-024201	Retainer – Bowl Lift Nut	1
7	RP-002-11	Roll Pin $\frac{3}{16}$ Dia. x $\frac{1}{2}$ Lg.	2

BOWL SUPPORT AND LIFT UNIT (L800 SERIES)

ILLUS.	PART NO.	NAME OF PART	AMT.
PL-57435			
8	00-024617	Seat – Bowl Support Stop Spring	1
9	00-122889-00004	Support – Bowl (Painted)	1
10	00-122889-00006	Support – Bowl (Deluxe)	1
11	00-024507-00002	Special Screw 1/2-13 x 1 1/4 Soc. Hd.	1
12	WL-004-14	Lockwasher 1/2 High Collar	1
13	00-065922-00020	Bowl Clamp (LH/RH)	2
14	00-120350	Stud – Bowl Locating	2
15	WL-004-11	Lockwasher 1/2 Light	2
16	NS-017-27	Jam Nut 1/2-13 Hex (Painted)	2
17	NS-017-25	Jam Nut 1/2-13 Hex (Deluxe)	2
18	NS-046-18	Lock Nut 5/8-11 Hex Nylok	2
19	00-064636	Washer – Bowl Clamp	2
20	SC-037-74	Cap Screw 3/8-16 x 1 1/2 Hex Hd.	1
21	00-024618	Spring – Bowl Support Stop	1
22	00-024198	Nut – Bowl Lift Screw	1
23	SC-012-37	Mach. Screw 1/4-20 x 3/4 Slotted Fil. Hd.	1
24	WL-004-40	Lockwasher #10 Helical	1
25	00-290052-00001	Screw – Bowl Lift	1
26	WL-004-11	Lockwasher 1/2 Light	1
27	SC-118-11	Cap Screw 3/8-16 x 7/8 Hex Hd.	1
28	BB-005-30	Ball Bearing N.D. #Z 99503	1
29	WS-010-17	Washer	1
30	00-012430-00043	Key 3/16 Sq. x 7/16 Lg.	1
31	00-024193	Gear – Bowl Lift Screw (31T)	1
32	WS-010-17	Washer	2
33	WL-012-04	Lockwasher N.D. #W-03	1
34	RR-005-02	Retaining Ring (Spirolox)	1
35	00-024194	Shaft – Miter Gear	1
36	00-024614-00003	Washer – Miter Gear Spacer (0.086 In. Thk.)	AR
37	00-024614-00004	Washer – Miter Gear Spacer (0.081 In. Thk.)	AR
38	00-024614-00005	Washer – Miter Gear Spacer (0.076 In. Thk.)	AR
39	00-024614-00006	Washer – Miter Gear Spacer (0.071 In. Thk.)	AR
40	NS-032-29	Stop Nut 1/2-20 Flexloc	1
41	RR-005-02	Retaining Ring (Spirolox)	1
42	00-024195-00002	Gear – Bowl Lift Miter (23T)	1
43	KW-003-03	Key – #404 Woodruff	1
44	00-024192	Gear – Bowl Lift Screw (41T)	1
45	00-024196-00002	Pinion – Bowl Lift Miter (23T)	1
46	00-012430-00041	Key 3/16 Sq. x 1 1/16 Lg.	1
47	RP-002-06	Roll Pin 1/4 Dia. x 1 Lg.	2
48	00-089684	Handwheel Bracket & Bearing Assy.	1
49	00-024191	Shaft – Hand Wheel	1
50	PG-007-19	Grooved Pin 1/4 x 2 3/4, Type E	1
51	00-024609-00001	Ring – Handwheel Brkt. Clamping	1
52	00-024609-00003	Ring – Handwheel Brkt. Clamping (Deluxe)	1
53	WL-003-48	Lockwasher 5/16 High Collar	4
54	SC-011-95	Mach. Screw 5/16-18 x 1 Slotted Fil. Hd.	4
55	00-024765	Handle – Bowl Lift Handwheel	1
56	00-078182	Handwheel & Handle Assy. (Incls. Item 56)	1
57	00-120100	Nut – Vibration Mount	3
58	SC-037-87	Cap Screw 1/4-20 x 1 Hex Hd.	3
59	NS-048-24	Stop Nut 3/8-16	1
60	00-438575	Spring – Torsion	1
61	00-438516	Spacer – Lever	1
62	00-438413-00002	Lever – Bowl Lock	1
63	SC-086-24	Shoulder Screw 3/8-16 x 1 1/2 Lg. Soc. Hex Hd.	1
64	PC-006-32	Cotter Pin	1
65	00-438494	Spring – Extension	1
66	00-875737-00001	Solenoid (115 V. Coil)	1
67	00-875737-00002	Solenoid (230 V. Coil)	1
68	00-438614-001-3	Solenoid (115/230 V. Coil)	1
69	SC-018-20	Mach. Screw 10-24 x 1/2 Slotted Pan Hd.	4
70	NS-048-20	Stop Nut 10-24 Flexloc	4
71	00-78752-00011	Clamp	1
72	00-438414	Plate – Bowl Lock	1

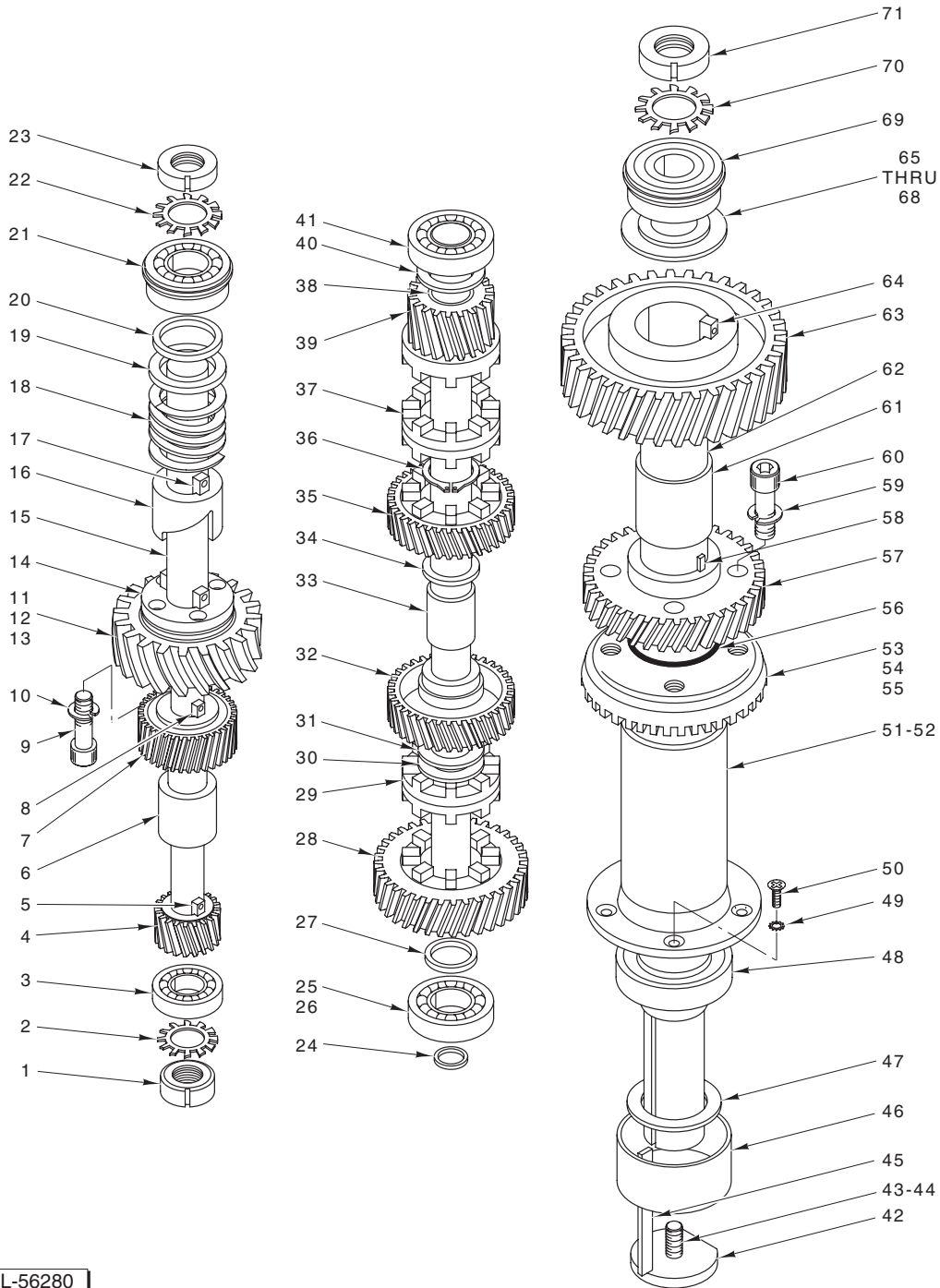


PL-57433

POWER BOWL LIFT UNIT

POWER BOWL LIFT UNIT

ILLUS.	PART NO.	NAME OF PART	AMT.
PL-57433			
1	NS-035-17	Special Nut $\frac{9}{16}$ -18 Palnut	1
2	00-120098	Detent Plate & Hub Assy.	1
3	BA-002-18	Ball $\frac{3}{8}$ Dia.	6
4	00-064616	Spring – Detent (12 lb.) (Holes nearest drive screws)	3
5	00-007009	Spring – Detent (6 lb.)	3
6	00-120097	Pulley Assy. (20T)	1
7	00-064405	Collar – Input Shaft	1
8	NS-034-04	Lock Nut N.D. #N-03	1
9	WL-012-04	Lockwasher N.D. #W-03	1
10	BB-005-30	Ball Bearing NSK #6203DDUCE	1
11	00-064558	Washer – Thrust	1
12	BN-002-18	Needle Bearing – Torrington #NTA-1423	1
13	00-064558	Washer – Thrust	1
14	00-120094	Screw – Lift	1
15	00-120096	Retainer – Lift Nut	1
16	00-120095	Nut – Bowl Lift Screw	1
17	00-120173	Spacer – Nut (L800 Series)	1
18	00-293443	Motor (230 V.) (1 Ph.)	1
19	KW-003-01	Key #304 Woodruff	1
20	00-120053	Seal – Oil	1
21	WL-003-43	Lockwasher $\frac{5}{16}$ Light	4
22	00-270747	Gear Case Assy. (Incls. Items 20, 26, 47, & 48)	1
23	00-120100	Nut – Vibration Mount	4
24	WS-004-39	Washer	4
25	SC-036-07	Cap Screw $\frac{1}{4}$ -20 x $1\frac{1}{8}$ Hex Hd.	4
26	00-064641	Bearing – Gear Box	1
27	SC-040-04	Cap Screw 10-32 x $\frac{3}{4}$ Soc. Hd.	4
28	WL-003-22	Lockwasher #10 Light	4
29	00-120080	Gear – Internal (64T)	1
30	RP-002-25	Roll Pin $\frac{1}{8}$ Dia. x $\frac{7}{8}$ Lg.	1
31	00-120079	Hub – Gear	1
32	KW-003-03	Key – #404 Woodruff	1
33	BB-005-19	Ball Bearing – Fafnir #H202NPP	1
34	KW-003-01	Key #304 Woodruff	1
35	PS-004-09	Spirol Pin $\frac{3}{16}$ Dia. x 1 Lg.	1
36	00-120084	Cover – Gear Case	1
37	WL-003-36	Lockwasher $\frac{1}{4}$ Light	4
38	SC-036-04	Cap Screw $\frac{1}{4}$ -20 x $\frac{3}{4}$ Slotted Hex Hd.	4
39	00-116634	Belt – Timing	1
40	RR-008-06	Retaining Ring	1
41	00-120086	Drive Pulley Assy. (14T)	1
42	00-120083	Shaft – Transmission	1
43	SD-012-20	Self-Tapping Screw 8-32 x $\frac{1}{2}$ Phil. Truss Hd., Type T	2
44	00-120163	Bracket – Capacitor	1
45	RR-004-17	Retaining Ring	1
46	00-120081	Gear – Motor Pinion (16T)	1
47	00-011800-00091	Dowel	2
48	00-024670	Insulator – Fiber	1
49	FE-021-14	Bushing – Snap	1
50	00-875756	Switch Assy. (Incls. Items 49, 51, 53, 54, 57, 58, 59, & 60)	1
51	RP-002-41	Roll Pin 0.094 In. Dia. x $\frac{3}{4}$ Lg.	1
52	00-120105	Grommet	1
53	00-875758	Hub – Switch	1
54	00-875757	Adapter	1
55	00-077401	Knob – Switch Control	1
56	00-120107	Handle – Switch	1
57	WL-003-36	Lockwasher $\frac{1}{4}$ Light	2
58	NS-013-01	Hex Nut $\frac{1}{4}$ -20	2
59	00-438321	Plate – Switch Mounting	1
60	WS-030-06	Washer	2
61	SC-040-10	Cap Screw $\frac{1}{4}$ -20 x $\frac{3}{4}$ Soc. Hex Hd.	2
62	SC-037-85	Cap Screw $\frac{5}{16}$ -18 x 1 Hex Hd.	4
63	00-120359-00001	Capacitor	1



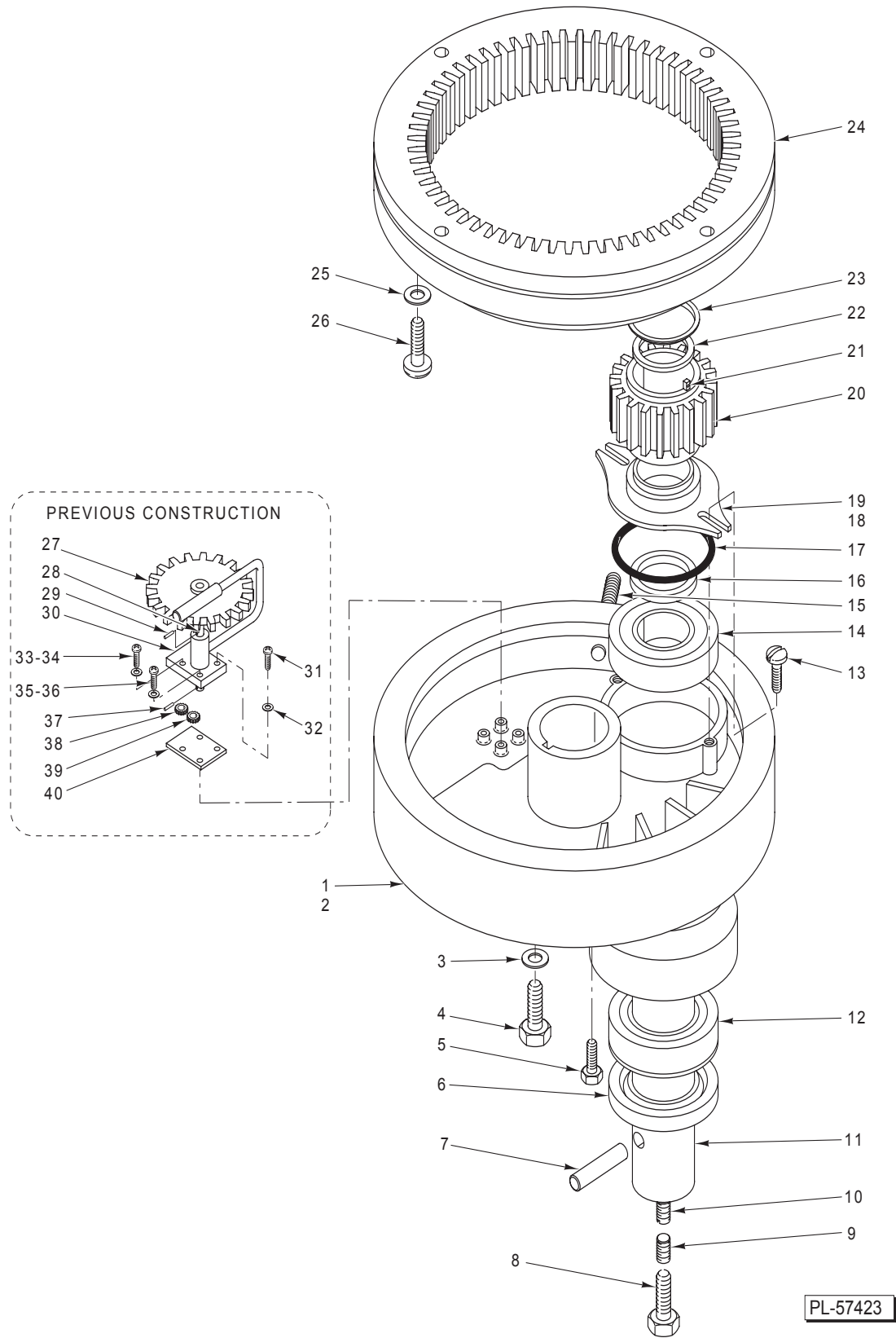
PL-56280

TRANSMISSION UNIT

ILLUS.	PART NO.	NAME OF PART	AMT.
	PL-56280		
1	NS-034-05	Lock Nut N.D. #N-04	1
2	WL-012-05	Lockwasher N.D. #W-04	1
3	BB-012-07	Ball Bearing – SKF #1204 Self-Aligning	1
4	00-121382	Gear – Lower Worm Shaft (17T)	1
5	00-012430-00051	Key	1
6	00-024206	Spacer – Worm Gear Shaft	1
7	00-024207	Gear – Upper Worm Shaft (25T)	1
8	00-012430-00051	Key	1
9	SC-040-08	Cap Screw 1/4-20 x 1 Soc. Hex Hd.	4
10	WL-003-35	Lockwasher 1/4 Medium	4

TRANSMISSION UNIT

ILLUS.	PART NO.	NAME OF PART	AMT.
PL-56280			
11	00-024288	Worm Gear (26T, 50 Hz.) (H600 Series)	1
12	00-024208	Worm Gear (29T, 60 Hz.) (L800 Series)	1
13	00-024735	Worm Gear (31T, H600, 60 Hz.; L800, 50 Hz.)	1
14	00-061497	Flange – Shock Absorber Drive	1
15	00-024204	Shaft – Worm Gear	1
16	00-061498	Compressor – Shock Absorber	1
17	00-024546	Key – Compressor to Shaft	1
18	00-009733	Spring – Worm Shaft	1
19	00-024238	Washer – Shock Absorber	1
20	RR-005-10	Retaining Ring (Spirolox)	1
21	BB-009-37	Ball Bearing SKF #5204-ZNBR	1
22	WL-012-05	Lockwasher N.D. #W-04	1
23	NS-034-05	Lock Nut #N-04	1
24	RR-005-04	Retaining Ring (Spirolox)	1
25	BB-018-33	Ball Bearing – Fafnir #205KFA (H600 Series)	1
26	BB-008-31	Ball Bearing – Fafnir #7205W (L800 Series)	1
27	00-024210	Spacer – Clutch Shaft	1
28	00-024539	Lower Clutch & Lower Gear Assy. (49T)	1
29	00-024213	Clutch – Shifting	1
30	RR-004-13	Retaining Ring (Truarc)	1
31	00-060767	Washer – Clutch Shaft	1
32	00-024538	Lower Clutch & Upper Gear Assy. (41T)	1
33	00-024209	Shaft – Clutch	1
34	00-024216	Washer – Clutch Shaft	1
35	00-024537	Upper Clutch and Lower Gear Assy. (33T)	1
36	RR-004-13	Retaining Ring (Truarc)	1
37	00-024213	Clutch – Shifting	1
38	00-024218	Bearing – Sleeve	1
39	00-024545	Upper Clutch & Upper Gear Assy. (17T) (Incls. Item 38)	1
40	00-024210	Spacer – Clutch Shaft	1
41	BB-018-33	Ball Bearing – Fafnir #205KFA	1
42	00-024266-00001	Washer – Planetary	1
43	SC-041-66	Cap Screw $\frac{3}{8}$ -24 x $1\frac{1}{4}$ Hex Hd. (SST)	1
44	WL-006-27	Lockwasher $\frac{3}{8}$ Light (SST)	1
45	00-012430-00195	Key	1
46	00-060486	Shield – Planetary Oil	1
47	00-024543	Washer – Planetary Spacer	1
48	BB-015-26	Ball Bearing – Fafnir #9109PP	1
49	WL-009-08	Lockwasher $\frac{1}{4}$ Csk. External Shakeproof	5
50	SC-013-79	Mach. Screw $\frac{1}{4}$ -20 x $\frac{1}{2}$ Slotted Flat Hd.	5
51	00-121478-00001	Chimney	1
52	00-067500-00102	O-Ring	1
53	00-061727-00002	Gear – Spiral Bevel (41T) (Order With Item 54 or 55)	1
54	00-061914-00002	Pinion – Bevel (16T) (#12) (Order With Item 53) (Shown in PL-56282)	1
55	00-061224-00002	Pinion – Bevel (16T) (#22) (Order With Item 53) (Shown in PL-56282)	1
56	00-067500-00019	O-Ring	1
57	00-024223	Gear – Planetary Shaft Lower (35T)	1
58	00-012430-00211	Key	1
59	WL-003-48	Lockwasher $\frac{5}{16}$ High Collar	4
60	SC-040-15	Cap Screw $\frac{5}{16}$ -18 x $1\frac{1}{4}$ Soc. Fil. Hd.	4
61	00-024224	Spacer – Planetary Shaft	1
62	00-024222	Shaft – Planetary	1
63	00-024225	Gear – Upper Planetary Shaft (53T)	1
64	00-012430-00210	Key – $\frac{5}{16}$ x $\frac{5}{16}$ x $1\frac{3}{8}$	1
65	00-479808	Shim – Planetary Shaft	1
66	WS-030-91	Washer (0.003 In. Thk.)	AR
67	WS-030-92	Washer (0.005 In. Thk.)	AR
68	WS-030-93	Washer (0.010 In. Thk.)	AR
69	BB-009-48	Ball Bearing – MRC #5206SBK-FFG	1
70	WL-012-07	Lockwasher N.D. #W-06	1
71	NS-034-07	Lock Nut N.D. #N-06	1
	00-089673-00001	Worm Gear Assy. (H600, 60 Hz. or L800, 50 Hz.) (Incls. Items 1 thru 10 & 13 thru 20)	1
	00-089673-00002	Worm Gear Assy. (50 Hz.) (H600 Series) (Incls. Items 1 thru 11 & 14 thru 20)	1
	00-089673-00003	Worm Gear Assy. (60 Hz.) (L800 Series) (Incls. Items 1 thru 10, 12, & 14 thru 20)	1

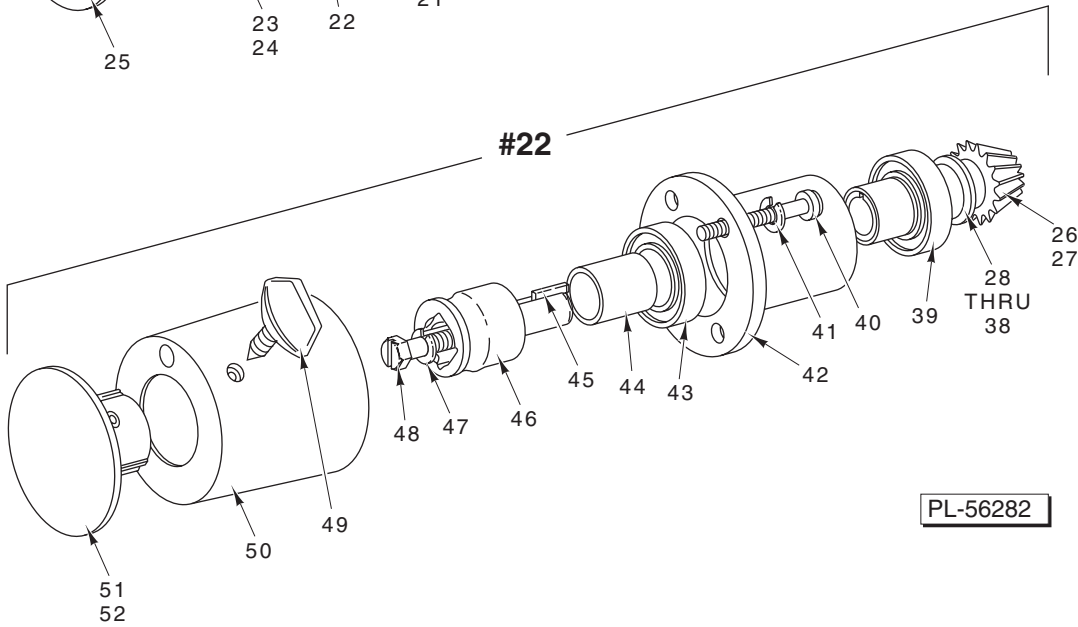
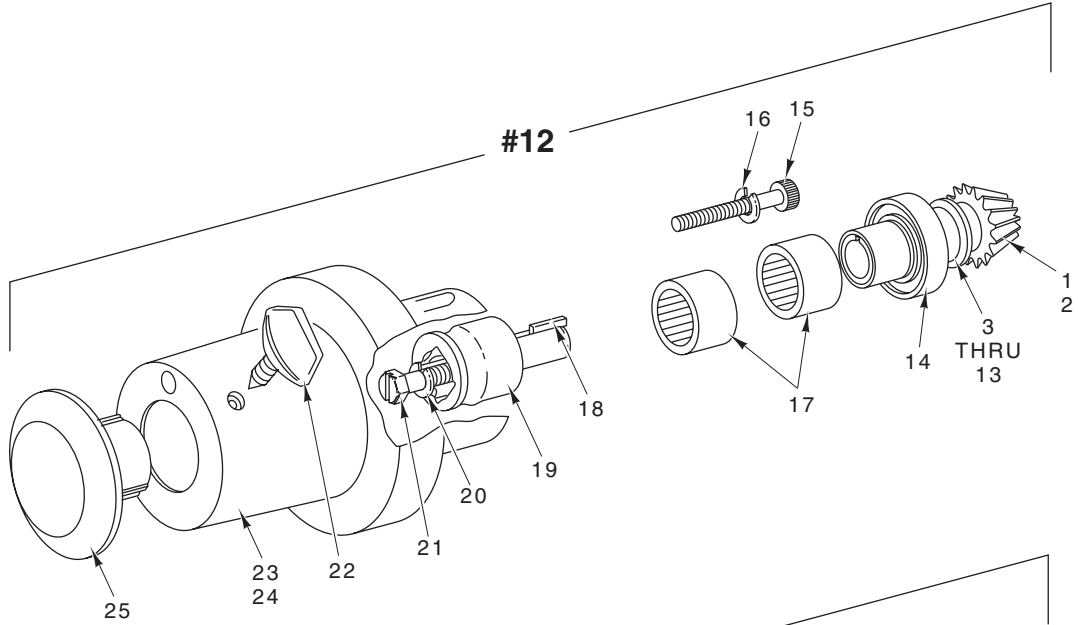


PLANETARY UNIT

PLANETARY UNIT

ILLUS.	PART NO.	NAME OF PART	AMT.
PL-57423			
1	00-024265-00001	Planetary (Painted) (Incls. Item 15)	1
2	00-024265-00003	Planetary (Deluxe) (Incls. Item 15)	1
3	WS-021-21	Washer	1
4	SC-041-42	Cap Screw 1/2-20 x 1 Hex Hd. (SST)	1
5	SC-041-26	Cap Screw 3/8-16 x 1/2 Hex Hd. (SST)	2
6	00-024651	Seal – Planetary	1
7	00-111156	Pin – Agitator Shaft	1
8	00-064723	Screw – Agitator Shaft	1
9	SC-047-41	Set Screw 3/8-16 x 3/8 Soc. Hdls., Cup Pt.	1
10	00-007744	Set Screw – Hdls., Cone Pt.	1
11	00-064137	Agitator Shaft Assy. (Incls. Items 7 thru 10)	1
12	BB-007-39	Ball Bearing – MRC #207-SZZ	1
13	SC-009-41	Mach. Screw 1/4-20 x 3/8 Slotted Rd. Hd.	2
14	BB-006-36	Ball Bearing – MRC #306-SZZ	1
15	FP-028-38	Plug 3/8 Hex Socket Pipe	1
16	00-060768	Shim – Internal Pinion	AR
17	00-067500-00021	O-Ring	1
18	00-270866	Oil Baffle – Planetary	1
19	00-270867	Washer – Special	1
20	00-024270	Pinion – Internal (18T)	1
21	00-012430-00154	Key	1
22	RR-005-08	Retaining Ring	1
23	00-060071	Cap – Oil Retaining	1
24	00-437692	Gear – Internal (59T)	1
25	WL-019-92	Lockwasher 3/8 High Collar	4
26	SC-040-23	Cap Screw 3/8-16 x 1 1/4 Soc. Fil Hd.	4
*27	00-060467	Conveying Gear Assy. (18T)	1
*28	00-186271	Shaft – Oil Pump	1
*29	RP-002-08	Roll Pin 5/64 Dia. x 1 1/16 Lg.	1
*30	00-123679	Housing & Tube Assy.	1
*31	SC-060-87	Mach. Screw 10-32 x 3/4 Slotted Rd. Hd.	1
*32	WL-003-22	Lockwasher #10 Light	1
*33	SC-009-68	Mach. Screw 8-32 x 3/4 Slotted Rd. Hd.	1
*34	WL-003-15	Lockwasher #8 Light	1
*35	SC-081-17	Mach. Screw 10-32 x 1 Slotted Rd. Hd.	2
*36	WL-003-22	Lockwasher #10 Light	2
*37	00-538772	Dowel 3/32 Dia. x 1 1/32 Lg.	1
*38	00-290277	Gear – Oil Pump (15T) (Slotted)	1
*39	00-186270	Gear – Oil Pump (15T)	1
*40	00-060443	Plate – Oil Pump Bottom	1
*	00-186273-00001	Oil Pump Service Kit (Incls. Items 28, 37, & 39)	1

*Prior to Serial Numbers 311274810 (H600) and 311276333 (L800).

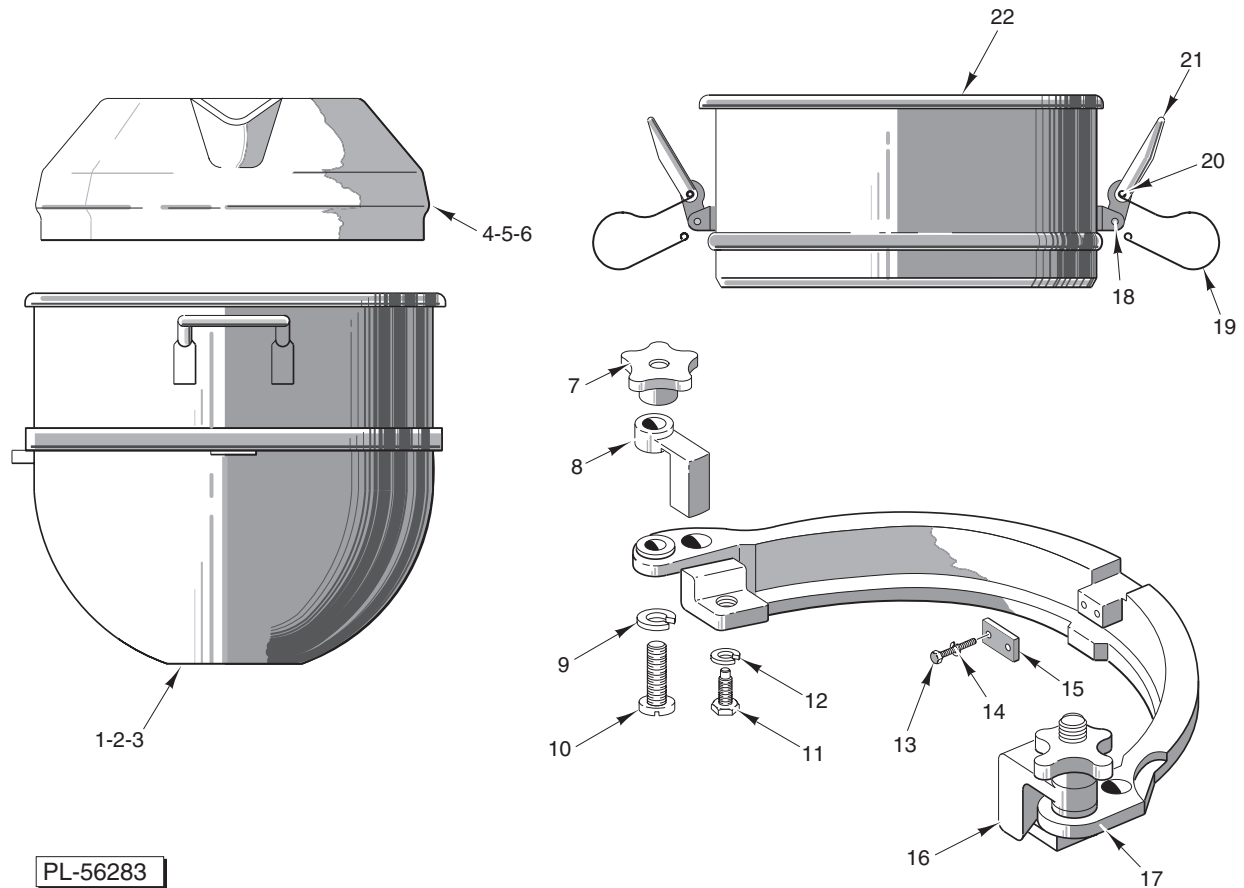


PL-56282

ATTACHMENT HUB UNIT

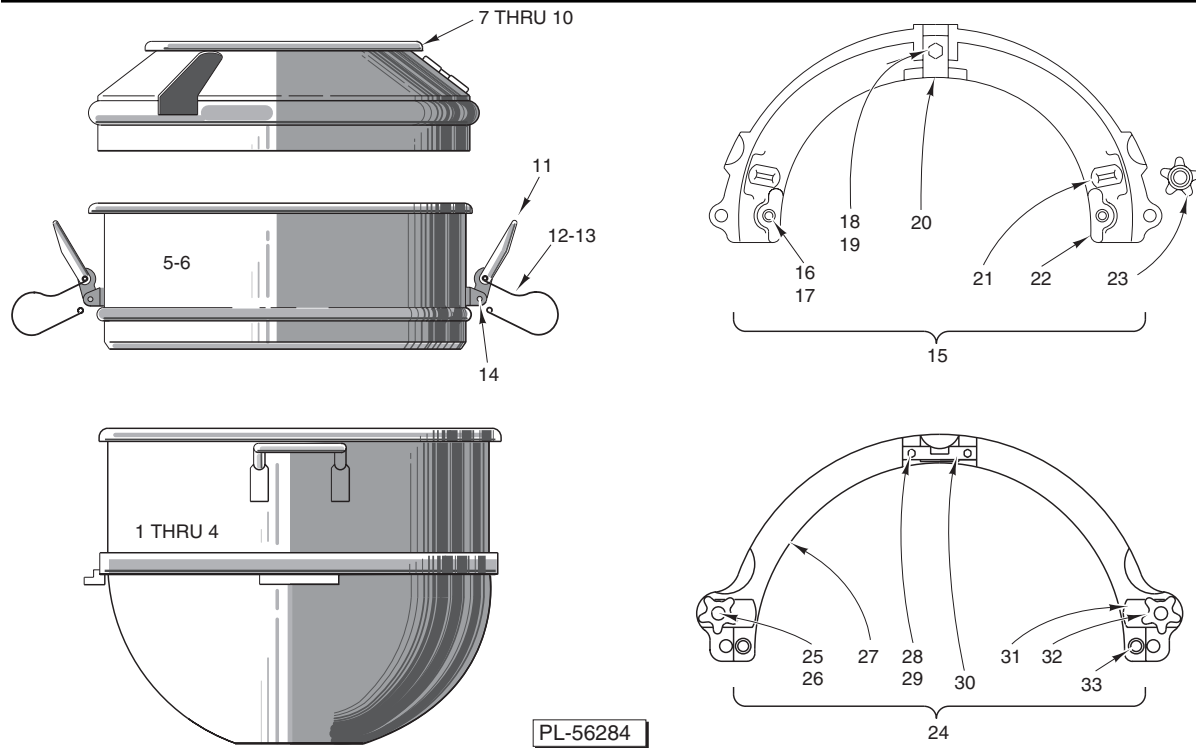
ATTACHMENT HUB UNIT

ILLUS.	PART NO.	NAME OF PART	AMT.
	PL-56282		
1	00-061914-00002	Pinion – Bevel (16T) (Order With Item 2)	1
2	00-061727-00002	Gear – Pinion (41T) (Order With Item 1) (Shown in PL-56280)	1
3	00-061920-00001	Washer (0.076 In. Thk.)	AR
4	00-061920-00002	Washer (0.079 In. Thk.)	AR
5	00-061920-00003	Washer (0.082 In. Thk.)	AR
6	00-061920-00004	Washer (0.085 In. Thk.)	AR
7	00-061920-00005	Washer (0.088 In. Thk.)	AR
8	00-061920-00006	Washer (0.091 In. Thk.)	AR
9	00-061920-00007	Washer (0.094 In. Thk.)	AR
10	00-061920-00008	Washer (0.097 In. Thk.)	AR
11	00-061920-00009	Washer (0.100 In. Thk.)	AR
12	00-061920-00010	Washer (0.103 In. Thk.)	AR
13	00-061920-00011	Washer (0.106 In. Thk.)	AR
14	BB-013-03	Ball Bearing – Nice #618	1
15	SC-040-50	Cap Screw ⁵ / ₁₆ -18 x 2 ¹ / ₄ Soc. Fil. Hd.	4
16	WL-003-44	Lockwasher ⁵ / ₁₆ Medium	4
17	BN-002-06	Needle Bearing (Torrington B-2212)	2
18	00-012430-00042	Key	1
19	00-061506	Sleeve – Square Drive	1
20	WL-003-44	Lockwasher ⁵ / ₁₆ Medium	1
21	00-439271	Screw – Special (LH Thread)	1
22	00-108197-00001	Thumb Screw	1
23	00-061894-00003	Hub – Attachment (Painted)	1
24	00-061894-00004	Hub – Attachment (Deluxe)	1
25	00-114824-00001	Plug – Attachment Hub	1
26	00-061224-00002	Pinion – Bevel (16T) (Order With Item 27)	1
27	00-061727-00002	Gear – Pinion (41T) (Order With Item 26) (Shown in PL-56280)	1
28	00-061920-00001	Washer (0.076 In. Thk.)	AR
29	00-061920-00002	Washer (0.079 In. Thk.)	AR
30	00-061920-00003	Washer (0.082 In. Thk.)	AR
31	00-061920-00004	Washer (0.085 In. Thk.)	AR
32	00-061920-00005	Washer (0.088 In. Thk.)	AR
33	00-061920-00006	Washer (0.091 In. Thk.)	AR
34	00-061920-00007	Washer (0.094 In. Thk.)	AR
35	00-061920-00008	Washer (0.097 In. Thk.)	AR
36	00-061920-00009	Washer (0.100 In. Thk.)	AR
37	00-061920-00010	Washer (0.103 In. Thk.)	AR
38	00-061920-00011	Washer (0.106 In. Thk.)	AR
39	BB-015-16	Ball Bearing – Fafnir #9106 PP	1
40	SC-040-67	Cap Screw ⁵ / ₁₆ -18 x 2 ¹ / ₂ Soc. Fil. Hd.	4
41	WL-003-44	Lockwasher ⁵ / ₁₆ Medium	4
42	00-061228-00001	Carrier – Bearing	1
43	BB-015-16	Ball Bearing – Fafnir #9106 PP	1
44	00-061227	Spacer – Bearing	1
45	00-012430-00060	Key	1
46	00-061230	Sleeve – Square Drive	1
47	WL-003-44	Lockwasher ⁵ / ₁₆ Medium	1
48	00-439271	Screw – Special (LH Thread)	1
49	00-108197-00001	Thumb Screw	1
50	00-061226-00003	Hub – Attachment	1
51	00-024799-00001	Plug – Attachment Hole (Painted)	1
52	00-114824-00001	Plug – Attachment Hub (Deluxe)	1



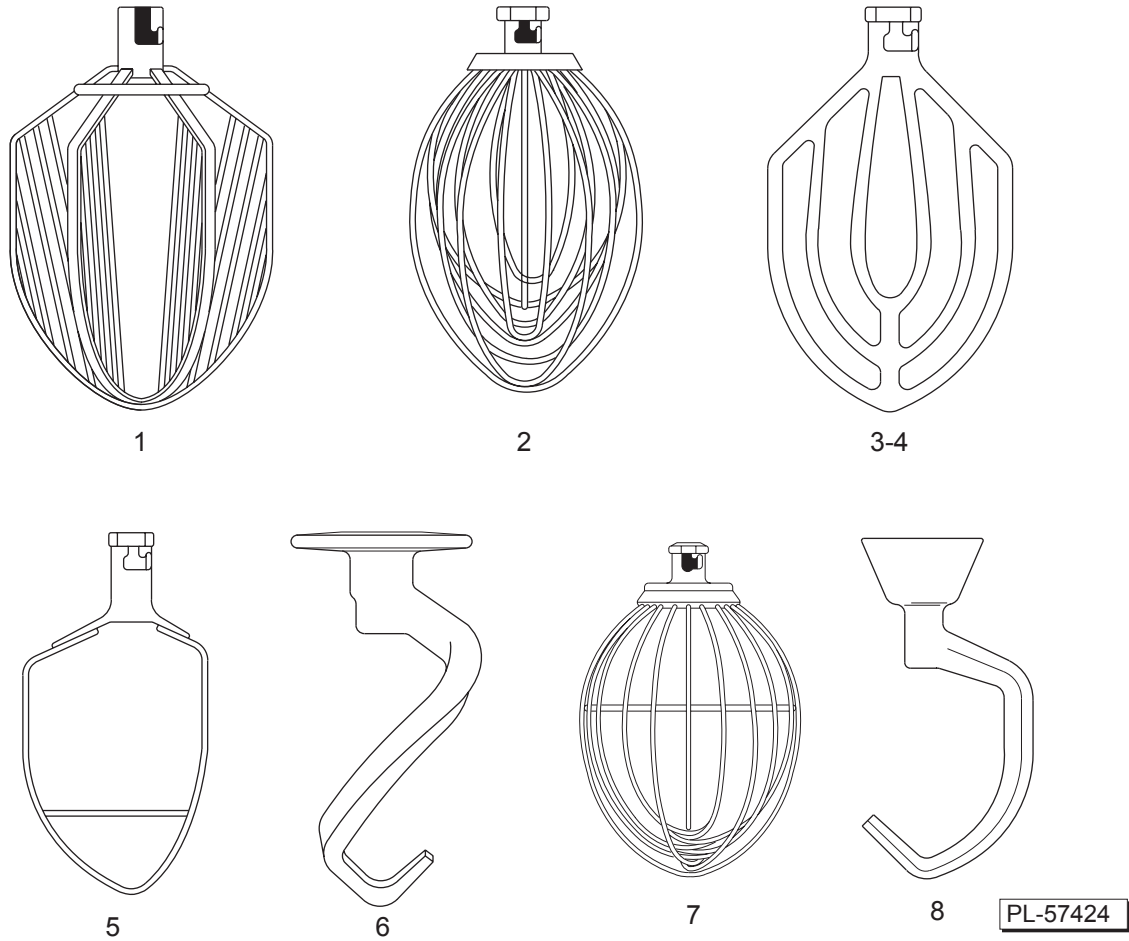
BOWLS AND EQUIPMENT (H600 SERIES)

ILLUS.	PART NO.	NAME OF PART	AMT.
	PL-56283		
1	00-275688	Bowl – 60 Qt. (SST) (Packaged)	1
2	00-275686	Bowl – 40 Qt. (SST) (Packaged)	1
3	00-295648	Bowl – 30 Qt. (SST) (Packaged)	1
4	00-438082	Cover Assy. – Splash 60 Qt. (Plastic) (Packaged)	1
5	00-438081	Cover Assy. – Splash 40 Qt. (SST) (Packaged)	1
6	00-438080	Cover Assy. – Splash 30 Qt. (SST) (Packaged)	1
7	00-008101-00001	Knob – Clamp Stud	2
8	00-024845-00001	Clamp – Adapter (60-40 Qt. & 60-30 Qt., LH)	1
9	WL-004-11	Lockwasher 1/2 Medium	2
10	00-022196	Bolt – Bowl Lock	2
11	00-024846	Stud – Bowl Locating	2
12	WL-004-17	Lockwasher 5/8 Light	2
13	SC-062-38	Cap Screw 1/4-20 x 5/8 Hex Hd.	2
14	WL-003-38	Lockwasher 1/4 Medium	2
15	00-024301	Retainer – Bowl	1
16	00-060222-00001	Clamp – Adapter (60-40 Qt. & 60-30 Qt., RH)	1
17	00-065790-00001	Adaptor Bowl (60-40 Qt. & 60-30 Qt.)	1
18	RP-002-35	Roll Pin 3/16 Dia. x 5/8 Lg. (SST)	2
19	00-437636	Spring – Bowl Clamp	2
20	RP-003-22	Roll Pin 3/16 Dia. x 1 1/8 Lg. (SST)	2
21	00-437586	Handle – Clamp	2
22	00-438104-00004	Extension 60 Qt. Bowl (SST) (Flange Top Bowl) (Incls. Items 18 thru 21) (Packaged)	1
	00-062087-00001	Adapter Assy. (60-40 Qt. & 60-30 Qt.) (Incls. Items 7 thru 17)	1
	00-118801	Scraper – Bowl (Hand Held)	1
	00-102714	Brush	1
	00-438824	Ingredient Chute (Packaged)	1
	00-315284-00001	Scraper – Bowl and Mounting Bracket (60 Qt.) (Packaged)	1
	00-315284-00002	Scraper – Bowl (60 Qt.) (Packaged)	1



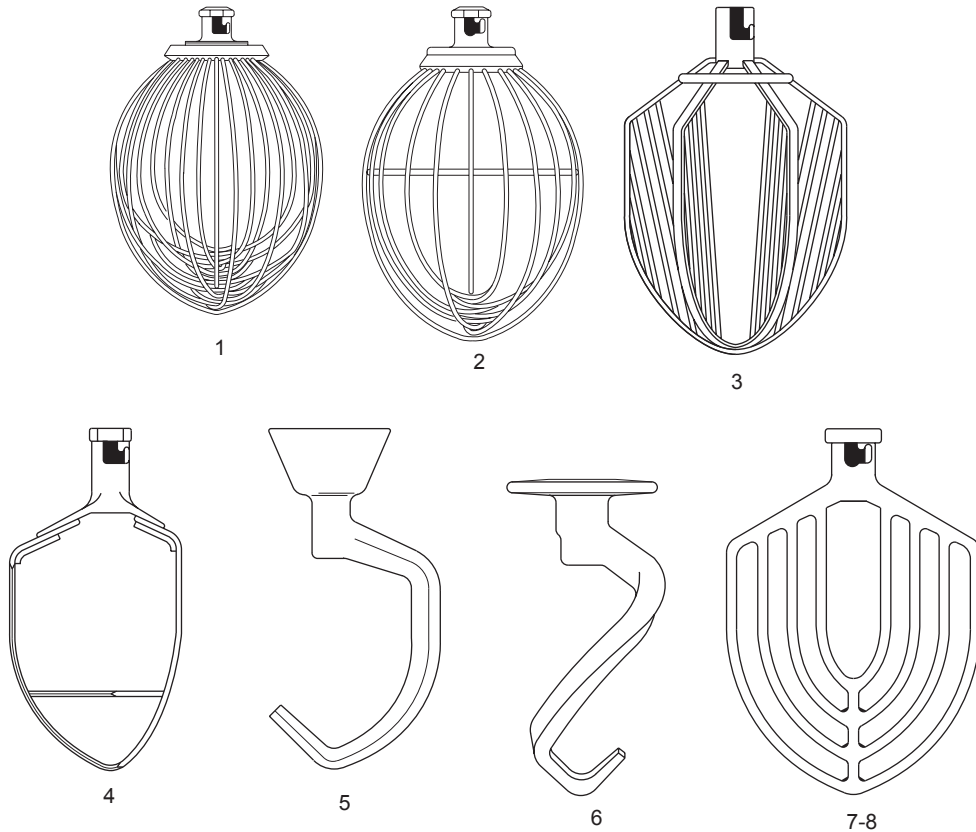
BOWLS AND EQUIPMENT (L800 SERIES)

ILLUS.	PART NO.	NAME OF PART	AMT.
PL-56284			
1	00-275690	Bowl – 80 Qt. (SST) (Packaged)	1
2	00-275688	Bowl – 60 Qt. (SST) (Packaged)	1
3	00-275686	Bowl – 40 Qt. (SST) (Packaged)	1
4	00-295648	Bowl – 30 Qt. (SST) (Packaged)	1
5	00-438104-00002	Extension 80 Qt. Bowl (SST) (Flange Top Bowl) (Incls. Items 11 thru 14) (Packaged)	1
6	00-438104-00004	Extension 60 Qt. Bowl (SST) (Flange Top Bowl) (Incls. Items 11 thru 14) (Packaged)	1
7	00-438083	Cover Assy. – Splash 80 Qt. (SST)	1
8	00-438082	Cover Assy. – Splash 60 Qt. (Plastic) (Packaged)	1
9	00-438081	Cover Assy. – Splash 40 Qt. (SST) (Packaged)	1
10	00-438080	Cover Assy. – Splash 30 Qt. (SST) (Packaged)	1
11	00-437586	Handle – Clamp	2
12	00-437636	Spring – Bowl Clamp	2
13	RP-003-22	Roll Pin ³ / ₁₆ Dia. x 1 ¹ / ₈ Lg. (SST)	2
14	RP-002-35	Roll Pin ³ / ₁₆ Dia. x ⁵ / ₈ Lg. (SST)	2
15	00-024653-00001	Bowl Adapter Assy. (80-40 Qt. & 80-30 Qt.) (Incls. Items 16 thru 23)	1
16	WL-004-17	Lockwasher ⁵ / ₈ Light	2
17	00-007629-00002	Stud – Bowl Locating	2
18	WL-004-11	Lockwasher ¹ / ₂ Medium	1
19	SC-062-37	Cap Screw ¹ / ₂ -13 x 1 Hex Hd.	1
20	00-007624-00001	Retainer – Bowl	1
21	00-008100-00001	Stud – Clamp	2
22	00-111165-00001	Adapter (80-40 Qt. & 80-30 Qt.)	1
23	00-111268-00001	Knob – Clamp Stud	2
24	00-061033-00001	Bowl Adapter Assy. (60 Qt.) (Incls. Items 25 thru 33)	2
25	00-022196	Bolt – Bowl Lock	2
26	WL-004-11	Lockwasher ¹ / ₂ Medium	2
27	00-065791-00001	Adapter (80-60 Qt.)	1
28	SC-037-88	Cap Screw ⁵ / ₁₆ -18 x 1 ¹ / ₄ Hex Hd.	2
29	WL-003-47	Lockwasher ⁵ / ₁₆ Medium	2
30	00-024289	Retainer – Bowl	1
31	00-065532-00001	Clamp – Bowl Adapter	2
32	00-008101-00001	Knob – Clamp Stud	2
33	00-024300	Pin – Bowl Locating	2
	00-438047-00001	Ingredient Chute (Packaged)	1
	00-315285-00001	Scraper – Bowl and Mounting Bracket (80 Qt.) (Packaged)	1
	00-315284-00002	Scraper – Bowl (60 Qt.) (Packaged)	1



AGITATORS (H600 SERIES)

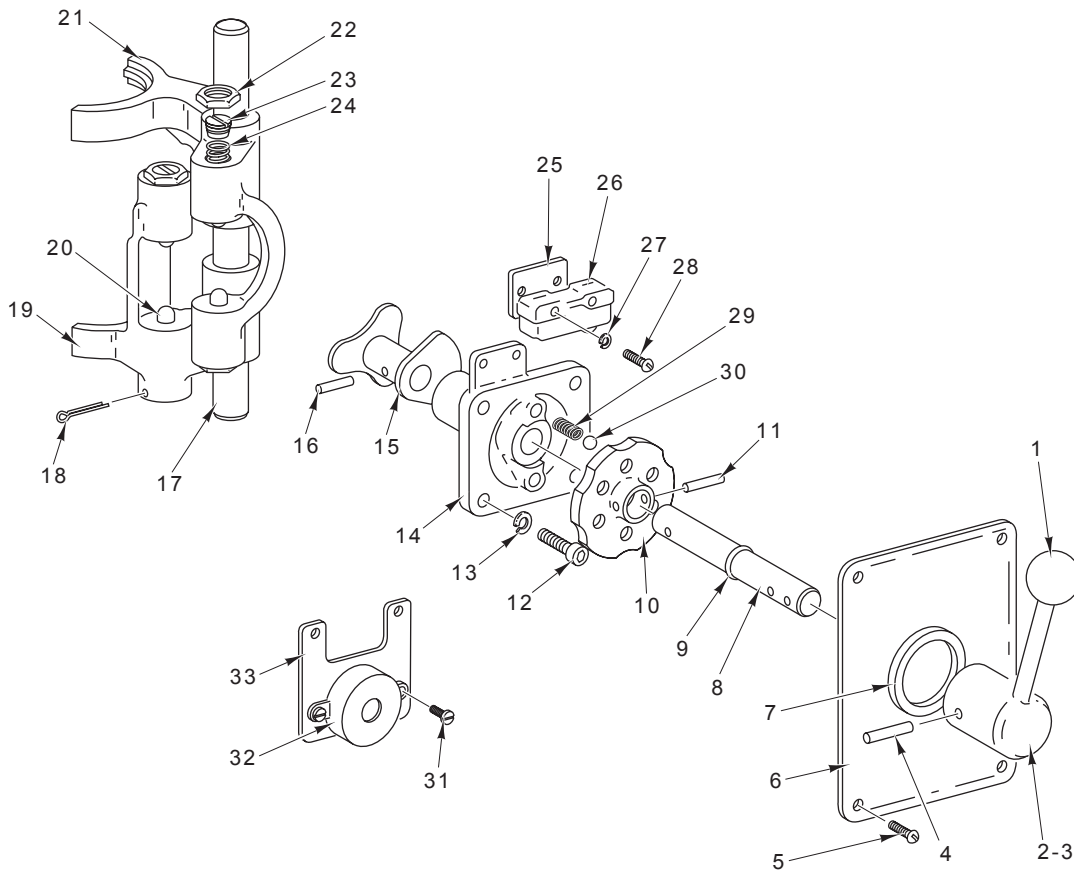
ILLUS. PL-57424	PART NO.			NAME OF PART	AMT.
	60 Qt.	40 Qt.	30 Qt.		
1	00-295156	---	---	"C" Six-Wing Whip (Packaged)	1
2	00-295154	00-295157	00-439740	"D" Wire Whip (SST) (Packaged)	1
3	00-275886	00-295033	00-295034	"B" Flat Beater (SST) (Packaged)	1
4	00-275885	00-275447	00-275809	"B" Flat Beater (Alum.) (Packaged)	1
5	00-275865	---	---	"P" Pastry Knife (Packaged)	1
6	00-295174	---	---	"ED" Dough Arm – Spiral (Packaged)	1
7	00-295155	00-295158	00-295162	"I" Wire Whip (Packaged)	1
8	00-295175	00-295176	00-275458	"E" Dough Arm (Packaged)	1



PL-57425

AGITATORS (L800 SERIES)

ILLUS. PL-57425	PART NO.				NAME OF PART	AMT.
	80 Qt.	60 Qt.	40 Qt.	30 Qt.		
1	00-295149	00-295154	00-295157	00-439740	"D" Wire Whip (SST) (Packaged)	1
2	00-295150	00-295155	00-295158	00-295162	"I" Wire Whip (SST) (Packaged)	1
3	00-295151	00-295156	---	---	"C" Six-Wing Whip (Packaged)	1
4	00-275836	00-275865	---	---	"P" Pastry Knife (Packaged)	1
5	---	00-295175	00-295176	00-275458	"E" Dough Arm (Packaged)	1
6	00-437701	00-295174	---	---	"ED" Dough Arm (Spiral) (Packaged)	1
7	00-295041	00-275886	00-295033	00-295034	"B" Flat Beater (SST) (Packaged)	1
8	00-275448	00-275885	00-275447	00-275809	"B" Flat Beater (Alum.) (Packaged)	1



PL-57420

SHIFTING UNIT

SHIFTING UNIT

ILLUS. PL-57420	PART NO.	NAME OF PART	AMT.
1	00-060468	Knob – Gear Shift	1
2	00-060469	Handle & Hub Assy.	1
3	00-060469-00002	Handle & Hub Assy. (H600C & L800C)	1
4	RP-002-03	Roll Pin ³ / ₁₆ Dia. x 1 ¹ / ₄ Lg.	1
5	00-123131	Screw – Serrated 8-32 x ³ / ₈	4
6	00-117873-00001	Plate – Shift Selector	1
7	00-060395	Grommet – Gear Shift	1
8	00-060400	Shaft – Gear Shift	1
9	00-067500-00006	O-Ring	1
10	00-875484	Hub & Cam Assy.	1
11	RP-002-10	Roll Pin ³ / ₁₆ Dia. x 1 Lg.	1
12	SC-040-16	Cap Screw ⁵ / ₁₆ -18 x 1 Soc. Fil. Hd.	4
13	WL-003-44	Lockwasher ⁵ / ₁₆ Medium	4
14	00-060359	Bracket – Gear Shift	1
15	00-024249	Gear Shift Cam Assy.	1
16	RP-002-06	Roll Pin ¹ / ₄ Dia. x 1 Lg.	1
17	00-024227	Shaft – Shifter	1
18	PC-003-24	Cotter Pin ¹ / ₁₆ Dia. x 1 ¹ / ₂ Lg.	1
19	00-024228	Yoke – Lower Shifting	1
20	00-024230	Plunger – Shifting Yoke	4
21	00-024229	Yoke – Upper Shifting	1
22	00-024232	Nut – Plunger Screw	3
23	00-060723	Screw – Shifting Plunger	4
24	00-024233	Spring – Shifting Plunger	4
25	00-060679	Insulator	1
26	00-087711-071-1	Switch – Interlock	1
27	WL-003-07	Lockwasher #6 Light	2
28	SC-009-45	Mach. Screw 6-32 x 1 Slotted Rd. Hd.	2
29	00-007009	Spring – Detent (6 lb)	2
30	BA-002-18	Ball ³ / ₈ Dia.	2
31	SC-009-49	Mach. Screw 6-32 x ³ / ₈ Slotted Rd. Hd.	2
32	00-438488	Buzzer	1
33	00-438489	Plate – Buzzer (Mount to Gear Shift Bracket)	1

